



# MR16 LAMPS

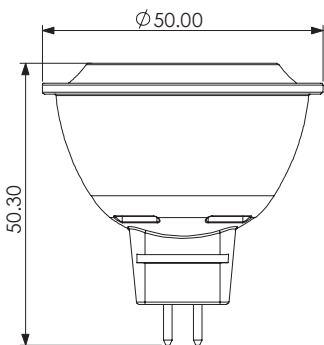
MODEL # LEDMR16-G4-63840

The Generation 4 MR16 lamps are ideal for situations that require directional lighting and are perfect for use in recessed and track lighting fixtures. This fourth generation lamp is dimmable. The high quality commercial grade chips also deliver exceptionally even light distribution.

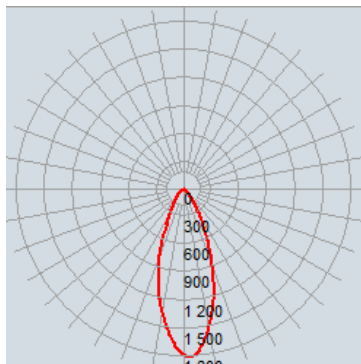
| PRODUCT DATA        |               |
|---------------------|---------------|
| Wattage             | 6W            |
| Rated Luminous Flux | 410Lm         |
| Voltage             | 12V           |
| Colour Temp.(CCT)   | 4000 K        |
| Colour Designation  | Natural White |
| CRI                 | ≥80           |
| Finish              | White         |
| Base                | GU5.3         |
| Beam Angle          | 38°           |
| Rated Life          | 25000 hrs     |



### PRODUCT DIMENSIONS



### PHOTOMETRICS



- Utilizes industry leading LED Chips from NICHIA.
- Environmentally friendly - No Mercury or Lead.
- Low energy consumption.
- Maintenance free and extremely easy installation.
- A simple, direct replacement bulb for 60W halogen lamps.
- Fits most trim kits.