



# LED CANOPY FIXTURE

45W / 100-277V

#CF45-5K-1



10 YEAR WARRANTY

## DESCRIPTION

Core's CF-45-5K-1 LED Canopy Fixture is the ultra-thin, energy-efficient solution for illuminating commercial and industrial environments. Being UL/cUL listed for wet locations and DLC listed as a Parking Garage Luminaire, it is a replacement for 100 watt HID; perfect for use in parking structures, storage areas, shopping area walkways, and entryways.

## MOUNTING OPTIONS



Pendant Mounting with a 3/4" conduit



Direct Surface mounting

## POPULAR APPLICATIONS



STORAGE CENTERS



PARKING LOTS



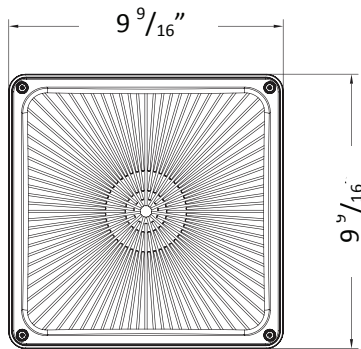
GAS STATIONS



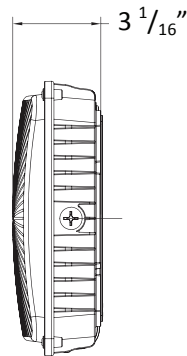
WALKWAYS

# PRODUCT DIMENSIONS / PHOTOMETRIC SPECS / ILLUMINANCE AT A DISTANCE

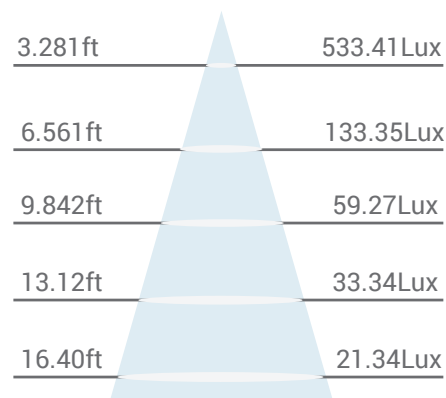
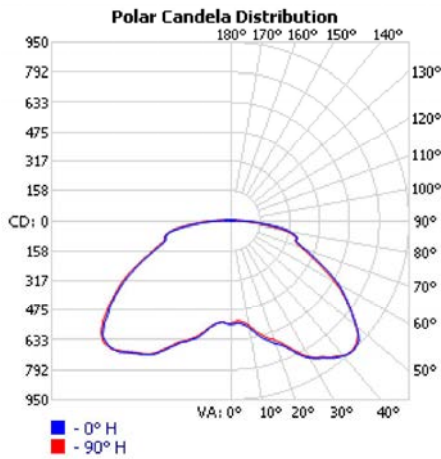
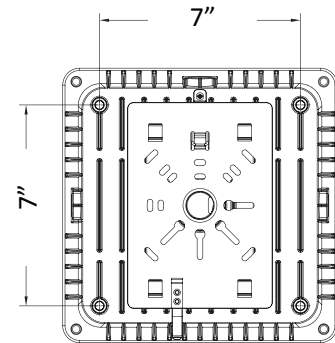
BOTTOM VIEW



SIDE VIEW



TOP VIEW



## TECHNICAL DATA

### LIGHT SPECIFICATIONS

|        |              |
|--------|--------------|
| Lumens | <b>4150</b>  |
| CCT    | <b>5000K</b> |
| CRI    | <b>≥82</b>   |

### DRIVER

|               |                         |
|---------------|-------------------------|
| Brand         | <b>Mester</b>           |
| Driver Type   | <b>Constant Current</b> |
| Driver Output | <b>2.89-48V</b>         |
| Dimmable      | <b>No</b>               |
| Driver Class  | <b>Class 2</b>          |

### HOURS

|             |               |
|-------------|---------------|
| Rated Hours | <b>50,000</b> |
|-------------|---------------|

### ELECTRICAL

|               |                 |
|---------------|-----------------|
| Wattage       | <b>45W</b>      |
| System Watts  | <b>43.67W</b>   |
| Input Voltage | <b>120-277V</b> |
| THD           | <b>10.10%</b>   |

### CONSTRUCTION

|                    |                           |
|--------------------|---------------------------|
| Housing Material   | <b>Sealed Die-cast</b>    |
| Lens Material      | <b>Polycarbonate Lens</b> |
| Reflector Material | <b>Aluminum</b>           |
| IP Rating          | <b>Wet Location</b>       |

### LED CHIP

|            |             |
|------------|-------------|
| Chip Brand | <b>CREE</b> |
| Chip Type  | <b>COB</b>  |

### TEMPERATURE

|               |              |
|---------------|--------------|
| Minimum Start | <b>-25°C</b> |
| Ambient Temp  | <b>40°C</b>  |

### DIMENSIONS & WEIGHT

|            |                          |
|------------|--------------------------|
| Dimensions | <b>9 9/16" x 9 9/16"</b> |
| Weight     | <b>2.72 KGS</b>          |

### APPROVALS & LISTINGS

|            |                  |
|------------|------------------|
| cUL        | <b>E473127</b>   |
| DLC Listed | <b>CF45-5K-1</b> |
| IESNA      | <b>LM79</b>      |