



LED FLOOD LIGHT

15W / 100-277V #FL2-15YK



EXTREME TEMPERATURE RANGE
operates in -40°C weather



PHOTOCELL COMPATIBLE
provides maximum energy savings



POLYCARBONATE LENS
to provide strength and safety



15 WATTS
with a powerful 1467 lumens output



IP 65 RATED
made for outdoor environments



LUMILEDS LED CHIPS
means long-lasting 50,000 hour life



10 YEAR WARRANTY



DESCRIPTION

The FL2-15YK is Core's latest commercial LED flood light with yoke mount that utilizes world-leading chips and drivers to deliver the most reliable fixture available on the market. They are the best solution when you are looking to install lighting fixtures on high walls or poles to illuminate building perimeters, walkways, and landscapes.

POPULAR APPLICATIONS



BUILDING PERIMETERS



WALKWAYS

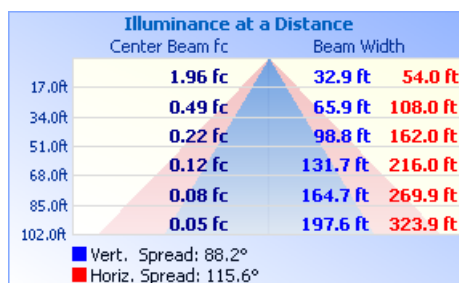
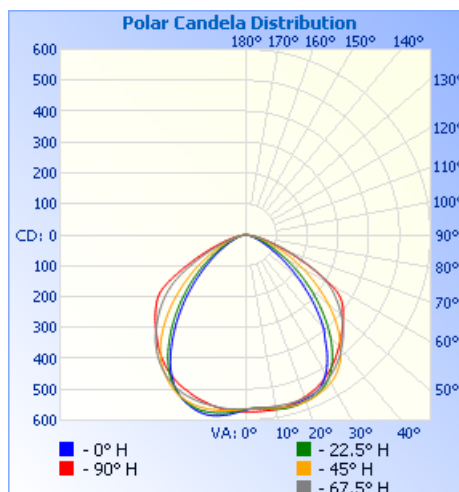
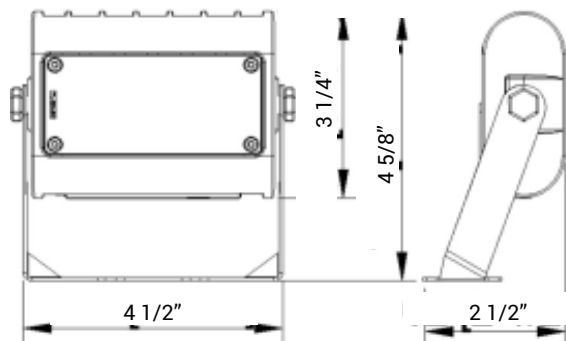


EXTERIOR WALLS



PARKING LOTS

PRODUCT DIMENSIONS / PHOTOMETRIC SPECS / ILLUMINANCE AT A DISTANCE



TECHNICAL DATA

LIGHT SPECIFICATIONS

Lumens **1467.8**

CCT **5000K**

CRI **≥82**

Beam Angle **90° x 120°**

DRIVER

Brand **Towin**

Driver Type **Constant Current**

HOURS

Rated Hours **50,000**

ELECTRICAL

Wattage **15W**

System Watts **15.26W**

Input Voltage **100-277V**

THD **<10%**

CONSTRUCTION

Housing Material **Die-cast**

Lens Material **Polycarbonate**

IP Rating **IP65**

LED CHIP

Chip Brand **LUMILEDS**

Chip Type **SMD**

TEMPERATURE

Minimum Start **-40°C**

Ambient Temp **40°C**

DIMENSIONS & WEIGHT

Dimensions **4 1/2" x 4 5/8"**

Weight **0.68 KGS**

APPROVALS & LISTINGS

cUL **E473127**

DLC Listed **FL2-15YK**

IESNA **LM-79**