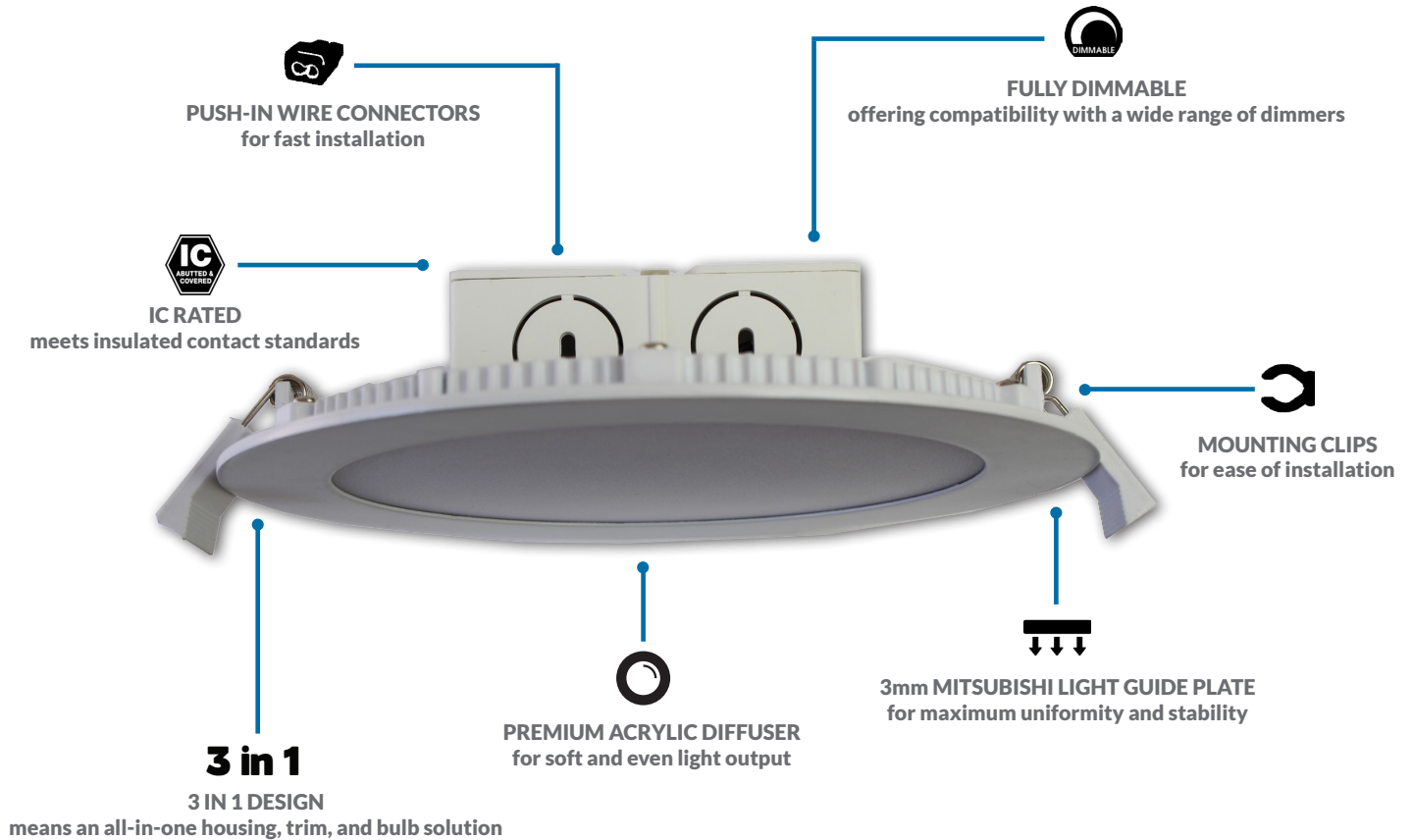




LED 6" RECESSED LIGHT

11.5W / 120V

#CK6R3-W (3000K)
#CK6R4-W (4000K)



EVERLIGHT®

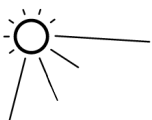


5 YEAR WARRANTY

DESCRIPTION

Core's new 6" LED Recessed Light available in 3000K and 4000K is an integrated solution that utilizes top of the line Everlight chips in a revolutionary new form factor. This one-piece design includes the housing, trim, and bulb and comes complete with push-in wire connectors that make these lights a quick and dependable recessed lighting solution for any residential or commercial project.

FEATURES



Exceptionally Even Light Output

3 in 1

Integrated One Piece Housing, Trim, and Lamp

POPULAR APPLICATIONS

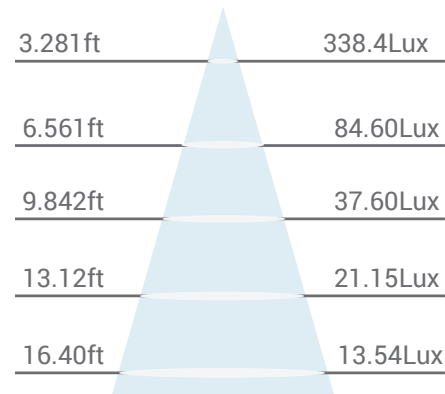
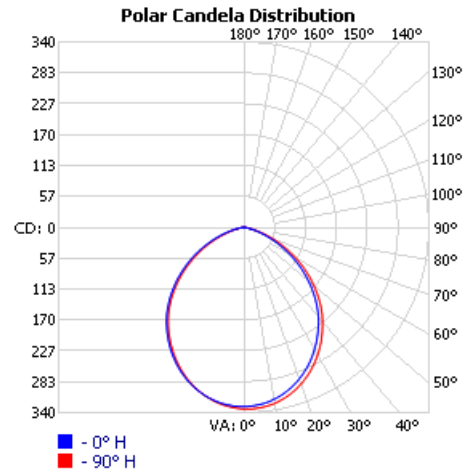
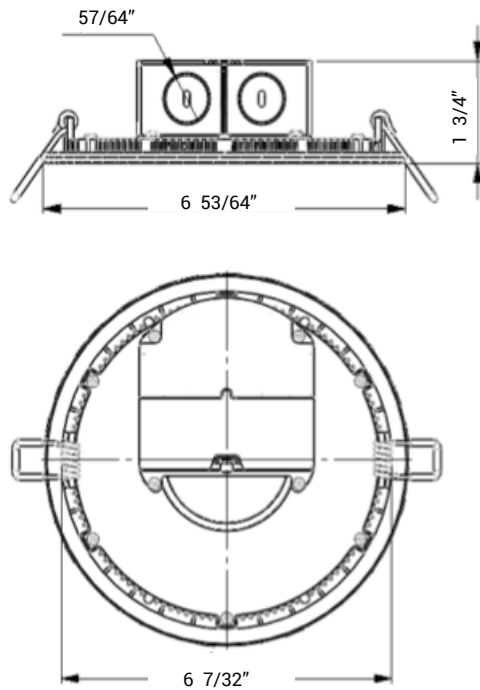


RESIDENTIAL



COMMERCIAL

PRODUCT DIMENSIONS / PHOTOMETRIC SPECS / ILLUMINANCE AT A DISTANCE



TECHNICAL DATA

LIGHT SPECIFICATIONS		ELECTRICAL		TEMPERATURE	
Lumens	800	Wattage	11.5W	Minimum Start	-20°C
CCT	3000K / 4000K	System Watts	11.5W	Ambient Temp	75°C
CRI	≥80	Input Voltage	120V	DIMENSIONS & WEIGHT	
Beam Angle	120°	CONSTRUCTION		Dimensions	6 7/32" x 1 3/4"
DRIVER		Housing Material	Polycarbonate/Steel	Weight	0.94 LBS
Driver Type	Constant Current	Lens Material	Acrylic	APPROVALS & LISTINGS	
Dimmable	Yes	LED CHIP		cUL	YES
HOURS		Chip Brand	EVERLIGHT	ES Listed	CK6R3-W
Rated Hours	50,000	Chip Type	SMD		CK6R4-W