



LED WALL PACK

20W / 100-277V

#WP2-205-1



10 YEAR WARRANTY

DESCRIPTION

Core's adjustable angle slimline wall packs are a combination of exceptional value, contemporary design, and flexible mounting options. Using industry-leading LED chips, the WP2-205-1 helps save energy costs utilizing only 20W to provide a powerful 2100 lumens. These fixtures can be used as flood lights and pole mounted lights, with the ability to adjust the angle anywhere from 0° to 90°, allowing for flexible installation.

POPULAR APPLICATIONS



PERSONNEL DOORS



EXTERIOR WALLS



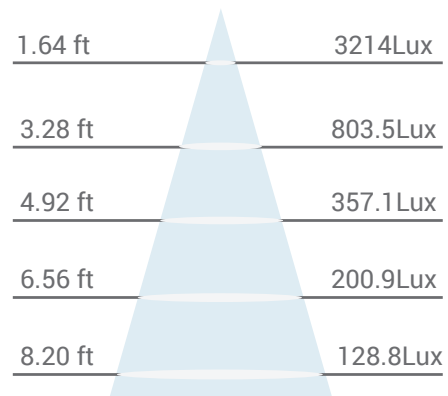
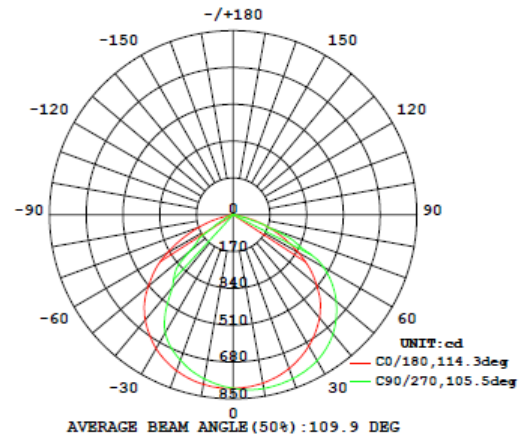
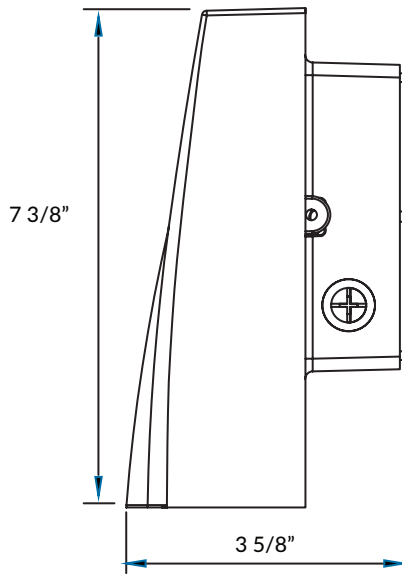
LOADING AREAS



BUILDING PERIMETERS

PRODUCT DIMENSIONS / PHOTOMETRIC SPECS / ILLUMINANCE AT A DISTANCE

SIDE VIEW



TECHNICAL DATA

LIGHT SPECIFICATIONS

Lumens	2100
CCT	5000K
CRI	≥80
Beam Angle	Adjustable (0° - 90°)

DRIVER

Driver Type	Constant Current
Dimmable	No

HOURS

Rated Hours	50,000
-------------	--------

ELECTRICAL

Wattage	20W
System Watts	20W
Input Voltage	100-277V

CONSTRUCTION

Housing Material	Die-cast
Lens Material	Polycarbonate Lens
IP Rating	65

LED CHIP

Chip Brand	Seoul Semiconductor
Chip Type	COB

TEMPERATURE

Minimum Start	-40°C
Ambient Temp	40°C

DIMENSIONS & WEIGHT

Dimensions	7 3/8" x 3 5/8"
Weight	1.81 KGS

APPROVALS & LISTINGS

cETLus	4008363
DLC Listed	WP2-205-1
IESNA	LM79