



# LED WALL PACK

30W / 100-277V

#WP2-305-1



**10 YEAR WARRANTY**

## DESCRIPTION

Core's adjustable angle slimline wall packs are a combination of exceptional value, contemporary design, and flexible mounting options. Using industry-leading LED chips, the WP2-305-1 helps save energy costs utilizing only 30W to provide a powerful 3100 lumens. These fixtures can be used as flood lights and pole mounted lights, with the ability to adjust the angle anywhere from 0° to 90°, allowing for flexible installation.

## POPULAR APPLICATIONS



PERSONNEL DOORS



EXTERIOR WALLS



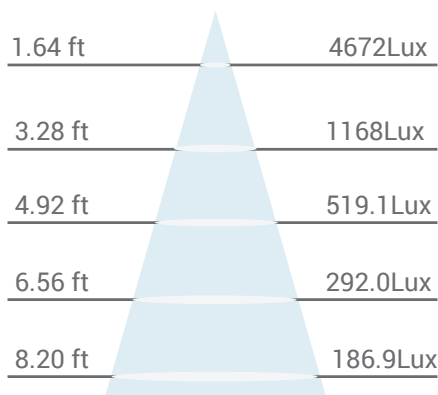
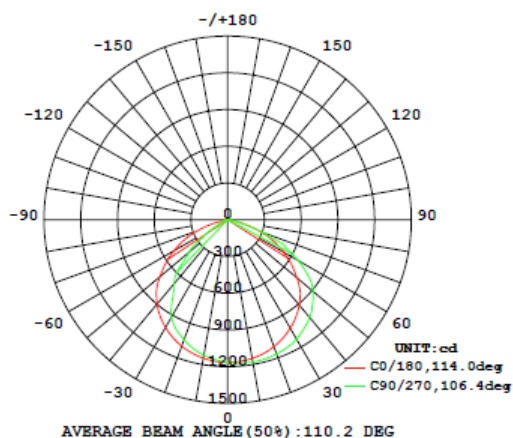
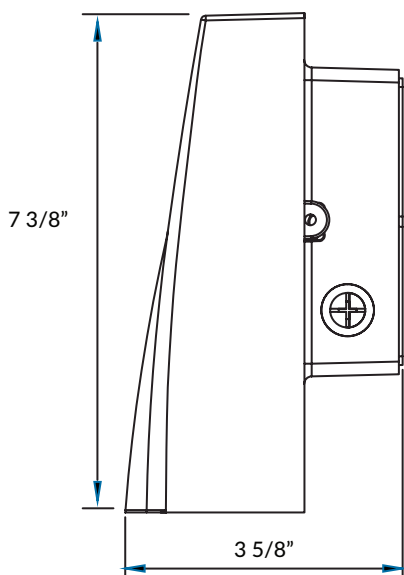
LOADING AREAS



BUILDING PERIMETERS

# PRODUCT DIMENSIONS / PHOTOMETRIC SPECS / ILLUMINANCE AT A DISTANCE

SIDE VIEW



## TECHNICAL DATA

### LIGHT SPECIFICATIONS

Lumens	<b>3100</b>
CCT	<b>5000K</b>
CRI	<b>≥80</b>
Beam Angle	<b>Adjustable (0° - 90°)</b>

### DRIVER

Driver Type	<b>Constant Current</b>
Dimmable	<b>No</b>

### HOURS

Rated Hours	<b>50,000</b>
-------------	---------------

### ELECTRICAL

Wattage	<b>30W</b>
System Watts	<b>30W</b>
Input Voltage	<b>100-277V</b>

### CONSTRUCTION

Housing Material	<b>Die-cast</b>
Lens Material	<b>Polycarbonate Lens</b>
IP Rating	<b>65</b>

### LED CHIP

Chip Brand	<b>Seoul Semiconductor</b>
Chip Type	<b>COB</b>

### TEMPERATURE

Minimum Start	<b>-40°C</b>
Ambient Temp	<b>40°C</b>

### DIMENSIONS & WEIGHT

Dimensions	<b>7 3/8" x 3 5/8"</b>
Weight	<b>1.81 KGS</b>

### APPROVALS & LISTINGS

cETLus	<b>4008363</b>
DLC Listed	<b>WP2-305-1</b>
IESNA	<b>LM79</b>