



LED YARD LIGHT

45W / 120-277V

#YL1-4550-S

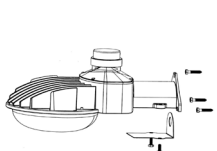


10 YEAR WARRANTY

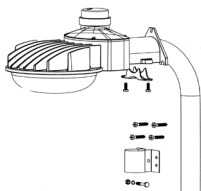
DESCRIPTION

Core's LED Yard Light fixture is an ideal solution for short to medium pole and wall applications. It is an energy efficient way to illuminate security pathways, driveways, parks, farms, backyards, and other outdoor areas.

MOUNTING OPTIONS (INCLUDED)



WALL MOUNT



ARM MOUNT TO WALL

POPULAR APPLICATIONS



WALKWAYS



PARKS

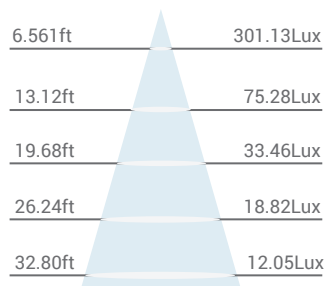
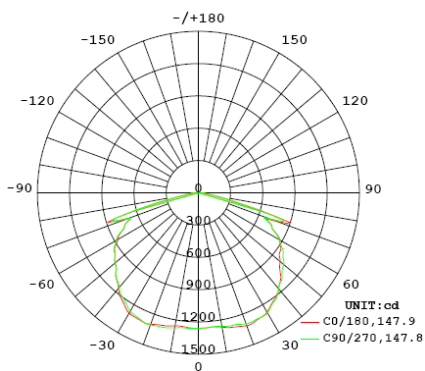
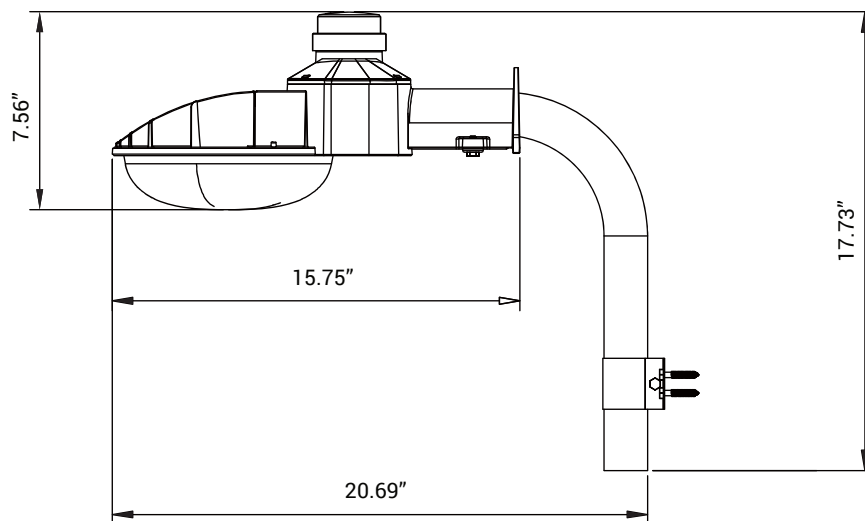


DRIVEWAYS



BUILDING PERIMETERS

PRODUCT DIMENSIONS / PHOTOMETRIC SPECS / ILLUMINANCE AT A DISTANCE



TECHNICAL DATA

LIGHT SPECIFICATIONS

Lumens	4930
CCT	5000K
CRI	≥70
Beam Angle	146.1°

Photocell **Yes**

DRIVER

Driver Type	UL Class 2
Driver Output	30-42V
Dimmable	No

HOURS

Rated Hours **50,000**

ELECTRICAL

Wattage	45W
System Watts	45W
Input Voltage	120-277V

CONSTRUCTION

Housing Material	Steel Powder Coat
Lens Material	Polycarbonate Lens

IP Rating **65**

LED CHIP

Chip Brand	CREE
Chip Type	COB

TEMPERATURE

Minimum Start	-40°C
Ambient Temp	40°C

DIMENSIONS & WEIGHT

Dimensions	20.69" x 17.73"
Weight	2.7 KGS

APPROVALS & LISTINGS

cUL	E473127
DLC Listed	YL1-4550-S
IESNA	LM79