



# LED FLOOD LIGHT

30W / 120-277V

#FL3-30KN-1



**IP 65 RATED**  
made for outdoor environments



**PHOTOCELL COMPATIBLE**  
provides maximum energy savings



**LUMILEDS LED CHIPS**  
means long-lasting 50,000 hour life



**30 WATTS**  
with a powerful 2988 lumens output



**KNUCKLE MOUNT**  
provides easy and secure angle adjustments



**EXTREME TEMPERATURE RANGE**  
operates in -35°C weather



**10 YEAR WARRANTY**

## DESCRIPTION

The FL3 Series is a line of compact sized, minimal footprint LED Flood Lights that utilizes world-leading LED chips and drivers to deliver the most reliable fixture available on the market. They are the best solution when you are looking to install lighting fixtures on high walls or poles to illuminate building perimeters, walkways, and landscapes.

## POPULAR APPLICATIONS



BUILDING PERIMETERS



WALKWAYS



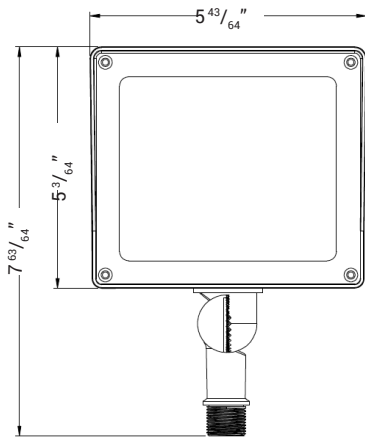
EXTERIOR WALLS



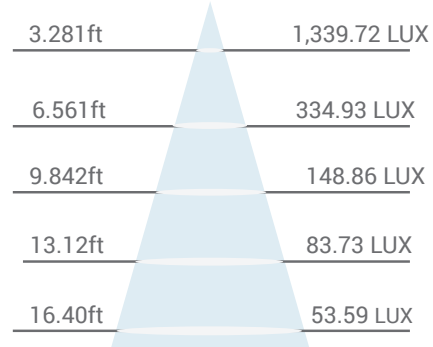
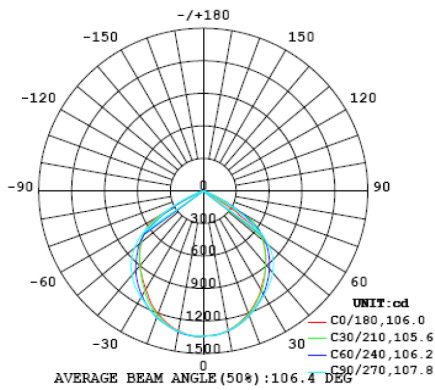
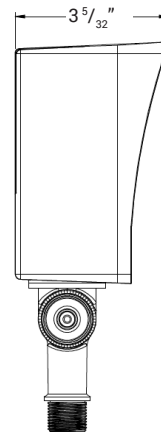
PARKING LOTS

# PRODUCT DIMENSIONS / PHOTOMETRIC SPECS / ILLUMINANCE AT A DISTANCE

FRONT VIEW



SIDE VIEW



## TECHNICAL DATA

### LIGHT SPECIFICATIONS

Lumens	<b>2988</b>
Efficacy	<b>94.8 lumens/W</b>
CCT	<b>4000K</b>
CRI	<b>≥83</b>
Beam Angle	<b>105°</b>

### DRIVER

Brand	<b>Lishunda</b>
Driver Type	<b>Constant Current</b>

### HOURS

Rated Hours	<b>50,000</b>
-------------	---------------

### ELECTRICAL

Wattage	<b>30W</b>
System Watts	<b>31.51W</b>
Input Voltage	<b>120-277V</b>
THD	<b>&lt;19%</b>
Power Factor	<b>0.8928</b>

### CONSTRUCTION

Housing Material	<b>Aluminum</b>
Lens Material	<b>Glass</b>
IP Rating	<b>IP65</b>
Mount Type	<b>Knuckle</b>

### LED CHIP

Chip Brand	<b>PHILIPS LUMILEDS</b>
Chip Type	<b>LUXEON 3030 2D</b>

### TEMPERATURE

Minimum Start	<b>-35°C</b>
Ambient Temp	<b>50°C</b>

### DIMENSIONS & WEIGHT

Dimensions	<b>5 43/64" x 7 63/64" x 3 5/32"</b>
Weight	<b>1.09 KGS</b>

### APPROVALS & LISTINGS

cETL	<b>YES</b>
DLC Listed	<b>PDQMM4W7</b>