



FL3-SERIES MULTI-MOUNT FLOOD LIGHT



INTERCHANGEABLE
MOUNTING ARM & SLIPFITTER
ATTACHMENTS (OPTIONAL)



Catalog #	
Project	
Date	
Prepared by	
Model #	FL3-1504T5-2-BK-TR

OVERVIEW

The FL3-Series Multi-Mount LED Flood Light is a high output, high efficiency commercial-grade flood light collection designed to make installation versatile and convenient. Each flood light includes a trunnion mount that can be removed and replaced with optional mounting attachments including a mounting arm or slip fitter, making these fixtures ready for any application.

PRODUCT HIGHLIGHTS

- Optional interchangeable mounting arm or slipfitter attachments for easy installation in any application
- Operates in -40°F/-40°C degree outdoor weather
- 0-10V dimming for maximum control and energy savings
- IP65 rated for dust tight, protection against water projected from a nozzle
- Includes trunnion mount that can be detached for optional mounts

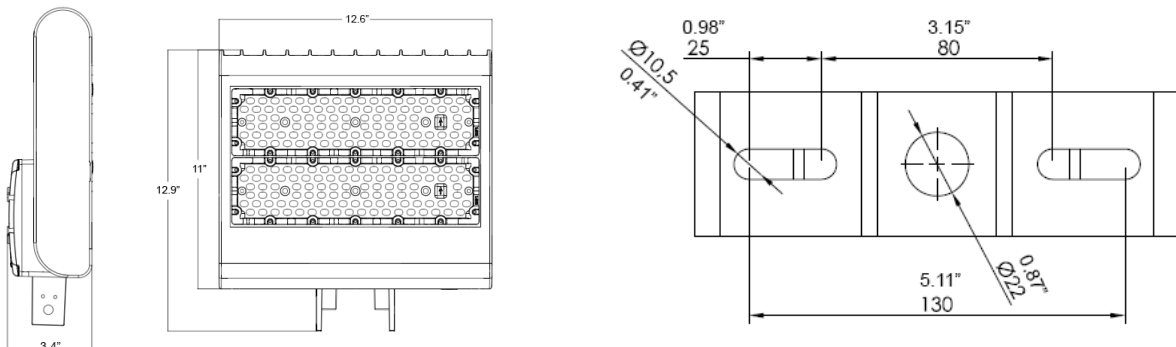
OPTICAL SPECIFICATIONS

Lumen Output (lm) ₁	21618 lm	Beam Angle	NEMA Type 6x5
CCT (K) ₁	4000K	Projected Lifetime (L₇₀)	>100,000 hrs
CRI (Ra) ₁	>70	Lumen Maintenance Factor	70%
Efficacy (lm/W) ₁	>139 lm/W	Chromaticity Shift	±120K

ELECTRICAL SPECIFICATIONS

Power	150W	Current Draw at 277V_{AC} (A) ₂	0.7A
Apparent Power (VA)	172VA	Current Draw at 347V_{AC} (A) ₂	0.6A
System Wattage (W)	155W	Current Draw at 480V_{AC} (A) ₂	0.4A
Input Voltage	277-480VAC ₂		
Replacement For	400W+ HID or HPS/MH		

PRODUCT DIMENSIONS

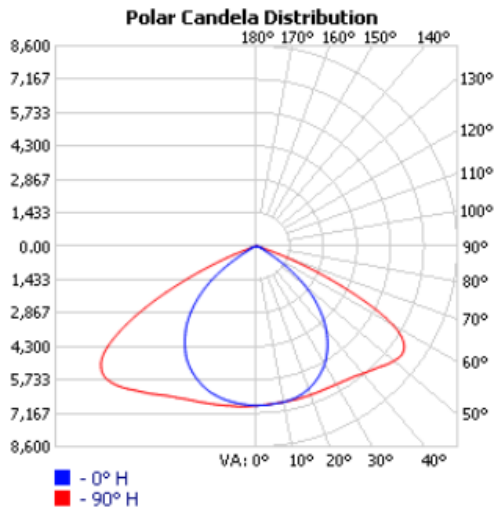


LED & DRIVER SPECIFICATIONS

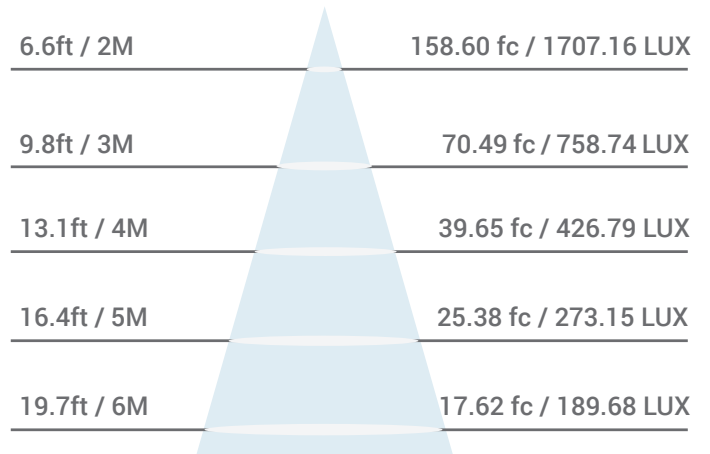
LED Design Origin	USA	Power Factor	>0.9
LED Brand	Lumileds	THD	15%
LED Type	Luxeon 3030	Inrush Current (A)	Cold Start 35A at 480V
Dimmable	Yes (1-10V)	Driver Class	Class 2
Output Voltage (VDC)	42VDC	Surge Protection	4 kV

CONSTRUCTION		APPROVALS & LISTINGS																									
Housing Material	Powder Coated ADC12 Aluminum Alloy	DLC Premium	PYGIDI7B																								
Housing Color	Black Optional Colors: Gray, Brown, White, Silver	UL/ETL Listed	cULus																								
Lens Material	Polycarbonate	UL/ETL File Number	E473127																								
Dimensions (inch/mm)	11" (L) x 12.6" (W) x 3.4" (D) (208 x 320 x 87 mm)	IP Rating	IP65																								
Weight (kg/lbs)	6.09kg / 13.4lbs	EPA Rating	1.16																								
Installation Method	Trunnion Mount (included) Slip Fitter and Mounting Arm (optional)	<table border="1"> <thead> <tr> <th colspan="3">Rated Lifetime¹</th> </tr> <tr> <th>Models</th> <th>Lumen Output = 90% of Initial (L₉₀)²</th> <th>Lumen Output = 70% of Initial (L₇₀)²</th> </tr> </thead> <tbody> <tr> <td>FL3-1004Tx-x-xx</td> <td>>55,000 hrs</td> <td>>100,000 hrs</td> </tr> <tr> <td>FL3-1504Tx-x-xx</td> <td>>45,000 hrs</td> <td>>100,000 hrs</td> </tr> <tr> <td>FL3-2304Tx-1-xx</td> <td>>45,000 hrs</td> <td>>60,000 hrs</td> </tr> <tr> <td>FL3-2304Tx-2-xx</td> <td>>45,000 hrs</td> <td>>100,000 hrs</td> </tr> <tr> <td>FL3-3004Tx-1-xx</td> <td>>45,000 hrs</td> <td>>75,000 hrs</td> </tr> <tr> <td>FL3-3004Tx-2-xx</td> <td>>45,000 hrs</td> <td>>100,000 hrs</td> </tr> </tbody> </table>		Rated Lifetime ¹			Models	Lumen Output = 90% of Initial (L ₉₀) ²	Lumen Output = 70% of Initial (L ₇₀) ²	FL3-1004Tx-x-xx	>55,000 hrs	>100,000 hrs	FL3-1504Tx-x-xx	>45,000 hrs	>100,000 hrs	FL3-2304Tx-1-xx	>45,000 hrs	>60,000 hrs	FL3-2304Tx-2-xx	>45,000 hrs	>100,000 hrs	FL3-3004Tx-1-xx	>45,000 hrs	>75,000 hrs	FL3-3004Tx-2-xx	>45,000 hrs	>100,000 hrs
Rated Lifetime ¹																											
Models	Lumen Output = 90% of Initial (L ₉₀) ²	Lumen Output = 70% of Initial (L ₇₀) ²																									
FL3-1004Tx-x-xx	>55,000 hrs	>100,000 hrs																									
FL3-1504Tx-x-xx	>45,000 hrs	>100,000 hrs																									
FL3-2304Tx-1-xx	>45,000 hrs	>60,000 hrs																									
FL3-2304Tx-2-xx	>45,000 hrs	>100,000 hrs																									
FL3-3004Tx-1-xx	>45,000 hrs	>75,000 hrs																									
FL3-3004Tx-2-xx	>45,000 hrs	>100,000 hrs																									
Operation Range (°C/°F)	-40°C to +40°C -40°F to +104°F	<p>1. Rated Lifetime projected the time needed for the fixture to drop its lumen output to 90% and 70% of its initial value, which was measured based on IESNA LM-79-80 luminaire test reports.</p> <p>2. Calculations are based on TM-21 Projection and ISTMT (In Situ) luminaire test report, estimated rated lifetime (hours) at T_a=25°C (ambient temperature).</p>																									
Warranty₃	10 Years																										

POLAR CANDELA DISTRIBUTION



ILLUMINANCE AT A DISTANCE



OPTIONAL ACCESSORIES

FL3-MA	Mounting Arm Attachment	FL3-SF	Slip Fitter Attachment
---------------	-------------------------	---------------	------------------------

1. Due to the special conditions of manufacturing, the typical data of optical specifications can only reflect statistical figures and do not necessarily correspond to the actual parameters of each single product which could differ from the typical data.
 2. Exceeding maximum ratings for input voltage and current will cause hazardous overload and will likely destroy the LED fixture.
 3. Refer to Warranty Terms & Conditions available at premiseled.com/warranty