



ES2-SERIES LED EMERGENCY LIGHTING UNIT



Project	
Date	
Prepared by	
Model #	ES2-BU1SC30B-3

OVERVIEW

The ES2-Series LED Emergency Lighting Unit is designed to provide efficient and reliable emergency lighting. Utilizing a sturdy, all steel housing, the ES2-BU1SC30B-3 presents a modern and unobtrusive design.

PRODUCT HIGHLIGHTS

- Universal AC input voltage from 120-347VAC
- 30W Battery Power, able to support 4 remote LED heads for more than 120 minutes
- Constructed of durable 20 gauge steel
- 90° x 90° swivel LED emergency lighting head
- Super bright LEDs, enabling each head to deliver more than 3 foot candles at an 8-foot distance
- CSA listed for Canada & the US

ELECTRICAL PARAMETERS

Input Voltage	120-347 VAC 50/60Hz	Battery Type	Lead-Acid
Output Voltage	6-12VDC	Battery Charge Time	24 hours
Indicator	Charge, Discharge, Test	Battery Discharge Time (CSA Req't: >2 hrs)	>2 hours
Battery Capacity	6V 5Ah (30W)		

LIGHTING INFORMATION

Lamp Type	LED	Lamp Power	2 x 2W (4W)
Lamp Input Voltage	6VDC	Luminance	2x130 lm (260 lm)

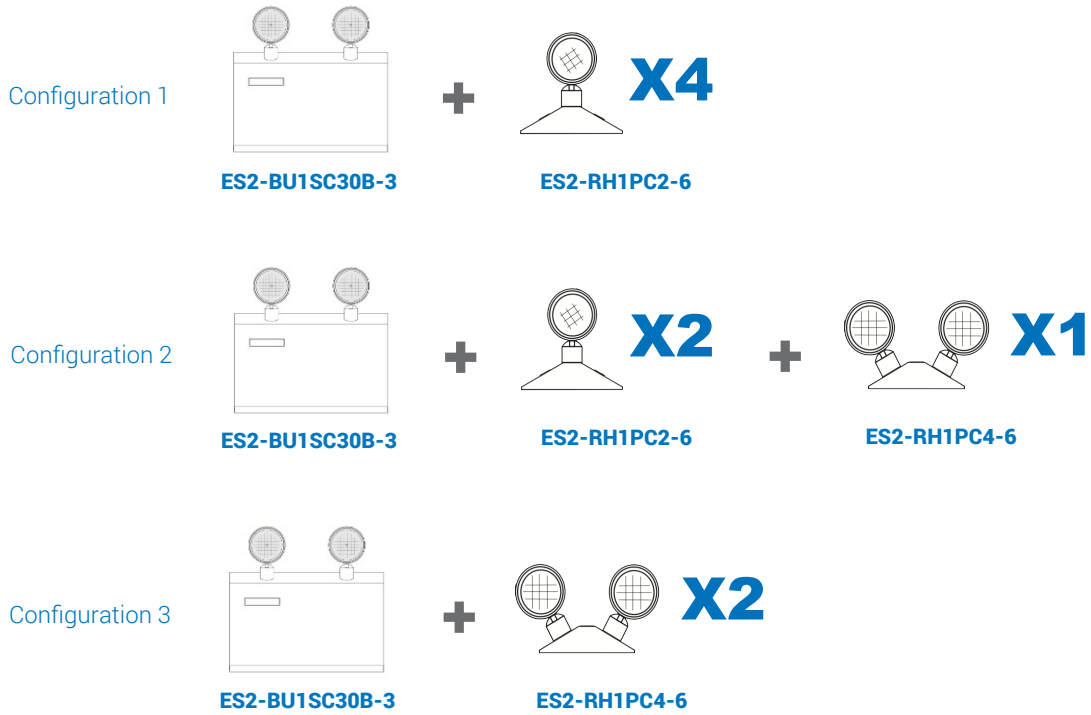
EXTERNAL & MECHANICAL SPECIFICATIONS

Housing Material	Powder Coated Steel	Material Grade	UL-94v0
Housing Color	White	Operation Temperature Range	5°C to 30°C / 40°F to 86°F
Dimension (inch/mm)	12.2" (W) x 10.6" (H) x 2.75" (D) 310mm (W) x 270mm (H) x 70mm (D)	Installation Method	Pendant Mount, Wall Mount
Weight	2.77 kg / 6.1 lbs	Warranty	5 years

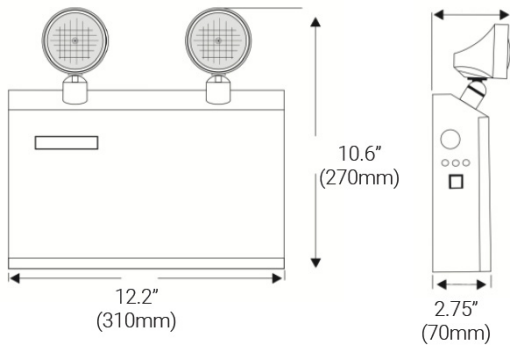
APPROVALS & LISTINGS

Safety Compliance	cCSAus	Safety Standards	CSA C22.2 No. 141-15 CAN/CSA-C22.2 No. 250.13-14
File Number	272501	Approved Locations	Damp Locations

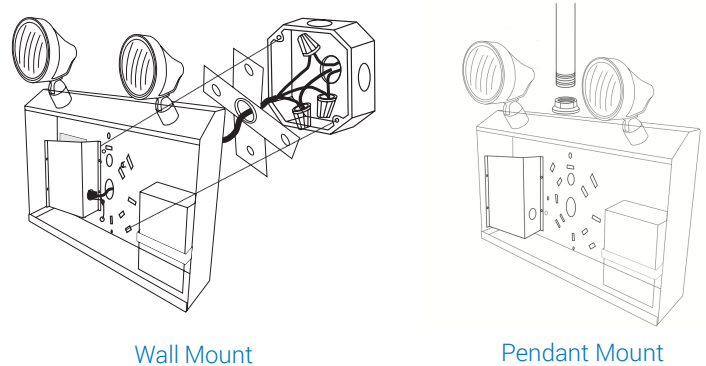
RECOMMENDED CONFIGURATIONS



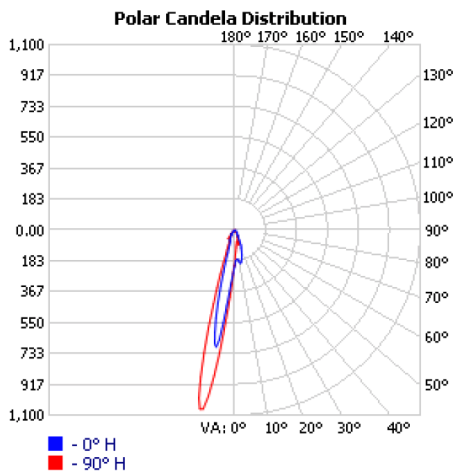
PRODUCT DIMENSIONS



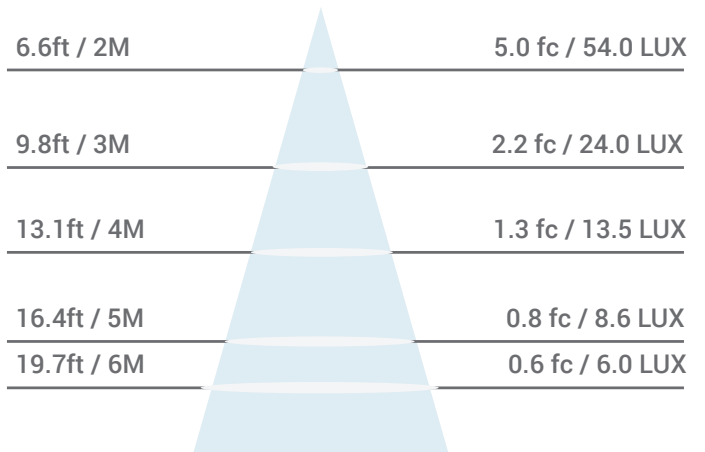
MOUNTING DIAGRAM



POLAR CANDELA DISTRIBUTION (FOR 1 LED HEAD)



ILLUMINANCE AT A DISTANCE (FOR 1 LED HEAD)



1. Due to the special conditions of manufacturing, the typical data of optical specifications can only reflect statistical figures and do not necessarily correspond to the actual parameters of each single product which could differ from the typical data.
 2. Exceeding maximum ratings for input voltage and current will cause hazardous overload and will likely destroy the LED fixture.
 3. Refer to Warranty Terms & Conditions available at premiseled.com/warranty