



# JJ1-SERIES VAPOR PROOF LED JELLY JAR



Catalog #	
Project	
Date	
Prepared by	
Model #	<b>JJ1-104-1</b>

## OVERVIEW

The JJ1-Series Vapor Proof LED Jelly Jar is designed for industrial applications including wet locations. A die-cast aluminum caged housing shields its heat-resistance glass from impact while its vapor tight design keeps out moisture, dust and humidity.

## PRODUCT HIGHLIGHTS

- Heat resistant frosted glass lens
- ADC12 Die-cast aluminum housing
- Vapor tight for industrial applications
- Designed to work in -40°F / -40°C weather
- Includes wall mount attachment.

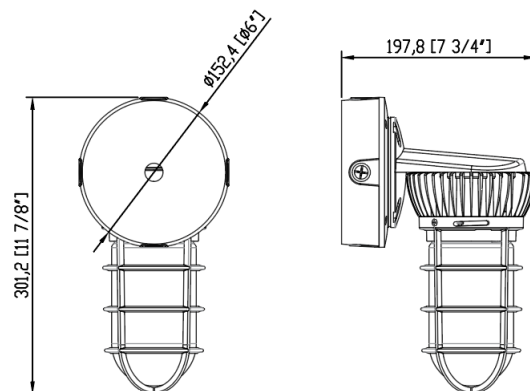
### OPTICAL SPECIFICATIONS

Lumen Output (lm) <sub>1</sub>	840 lm	Beam Angle (°)	360
CCT (K) <sub>1</sub>	4000K	Projected Lifetime (L <sub>70</sub> )	>50,000 hrs
CRI (Ra) <sub>1</sub>	>80	Lumen Maintenance Factor	70%
Efficacy (lm/W) <sub>1</sub>	>84 lm/W	Chromaticity Shift	±100K

### ELECTRICAL SPECIFICATIONS

Power	10W	Current Draw at 120V <sub>AC</sub> (A)	0.10A
Apparent Power (VA)	11W	Current Draw at 208V <sub>AC</sub> (A)	0.6A
System Wattage (W)	10W	Current Draw at 240V <sub>AC</sub> (A)	0.5A
Input Voltage	100-277VAC <sub>2</sub>	Current Draw at 277V <sub>AC</sub> (A)	0.4A

### PRODUCT DIMENSIONS



## LED & DRIVER SPECIFICATIONS

<b>LED Design Origin</b>	USA	<b>Power Factor</b>	0.98
<b>LED Brand</b>	Luminus Devices	<b>THD</b>	<20%
<b>LED Type</b>	COB	<b>Inrush Current (A)</b>	Cold Start at 20A at 230VAC
<b>Dimmable</b>	No	<b>Driver Class</b>	Class B
<b>Output Voltage (VDC)</b>	8-12VDC	<b>Surge Protection</b>	4kV (Line to Earth)

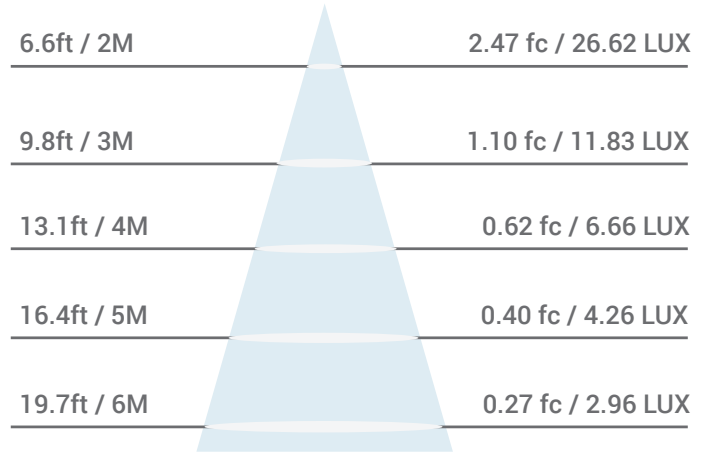
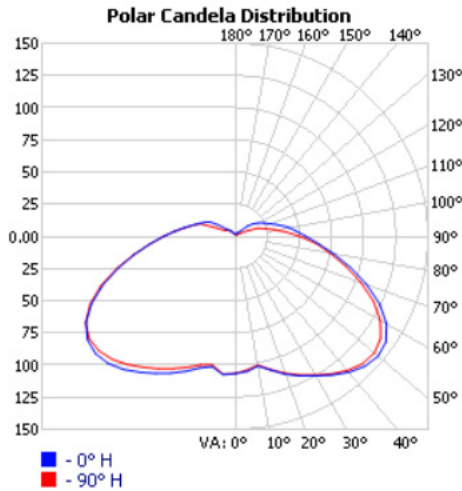
### CONSTRUCTION

### APPROVALS & LISTINGS

<b>Housing Material</b>	ADC12 Die Cast Aluminum Alloy	<b>UL/ETL Listed</b>	cULus
<b>Housing Color</b>	Silver	<b>UL/ETL File Number</b>	E473127
<b>Lens Material</b>	Frosted Tempered Glass	<b>IP Rating</b>	IP65
<b>Dimensions (inch/mm)</b>	11-7/8" x 6" x 7-3/4" (301 x 152 x 198 mm)	<b>Wet Location Rated</b>	Yes
<b>Weight (kg/lbs)</b>	2.4kg / 5.3lbs	<b>Rated Lifetime<sup>1</sup></b>	
<b>Installation Method</b>	Wall Mount	<b>Models</b>	<b>Lumen Output = 70% of Initial (L<sub>70</sub>)<sup>2</sup></b>
<b>Operation Range (°C/°F)</b>	-40°C to +40°C -40°F to +104°F	JJ1-104-1 JJ1-204-1	>50,000 hrs
<b>Warranty<sub>3</sub></b>	10 Years	1. Rated Lifetime projected the time need for the fixture to drop its lumen output to 70% of its initial value, which was measured based on IESNA LM-79-80 luminaire test report. 2. Calculations based on TM-21 Projection and IESNA LM-80-08 LED test report, estimated rated lifetime (hours) at TA=25 deg C (ambient temperature).	

### POLAR CANDELA DISTRIBUTION

### ILLUMINANCE AT A DISTANCE



1. Due to the special conditions of manufacturing, the typical data of optical specifications can only reflect statistical figures and do not necessarily correspond to the actual parameters of each single product which could differ from the typical data.  
 2. Exceeding maximum ratings for input voltage and current will cause hazardous overload and will likely destroy the LED fixture.  
 3. Refer to Warranty Terms & Conditions available at [premiseled.com/warranty](http://premiseled.com/warranty)