



JJ1-SERIES VAPOR PROOF LED JELLY JAR



Project	
Date	
Prepared by	
Model #	JJ1-W204-1

OVERVIEW

The JJ1-Series Vapor Proof LED Jelly Jar is designed for industrial applications including wet locations. A die-cast aluminum caged housing shields its heat-resistance glass from impact while its vapor tight design keeps out moisture, dust and humidity.

PRODUCT HIGHLIGHTS

- Heat resistant frosted glass lens
- ADC12 Die-cast aluminum housing
- Vapor tight for industrial applications
- Designed to work in -40°F / -40°C weather
- Includes wall mount attachment. Optional mounting available (Pendant or Ceiling Mount Kit)

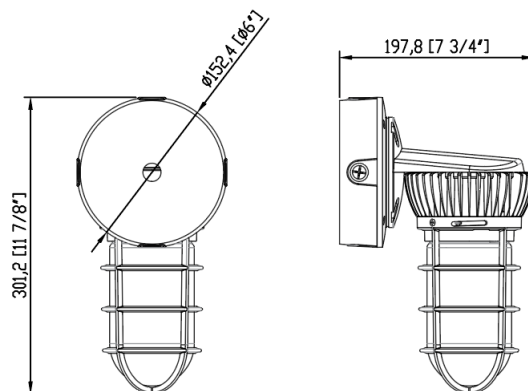
OPTICAL SPECIFICATIONS

Lumen Output (lm) ₁	1700 lm	Beam Angle (°)	360
CCT (K) ₁	4000K	Projected Lifetime (L ₇₀)	>50,000 hrs
CRI (Ra) ₁	>80	Lumen Maintenance Factor	70%
Efficacy (lm/W) ₁	>84 lm/W	Chromaticity Shift	±100K

ELECTRICAL SPECIFICATIONS

Power	20W	Current Draw at 120V _{AC} (A)	0.18A
Apparent Power (VA)	21W	Current Draw at 208V _{AC} (A)	0.11A
System Wattage (W)	20W	Current Draw at 240V _{AC} (A)	0.10A
Input Voltage	100-277VAC ₂	Current Draw at 277V _{AC} (A)	0.08A

PRODUCT DIMENSIONS



LED & DRIVER SPECIFICATIONS

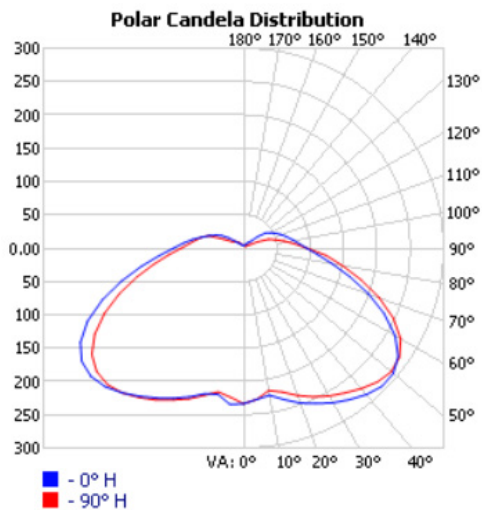
LED Design Origin	USA	Power Factor	0.98
LED Brand	Luminus Devices	THD	<20%
LED Type	COB	Inrush Current (A)	Cold Start at 20A at 230VAC
Dimmable	No	Driver Class	Class B
Output Voltage (VDC)	8-12VDC	Surge Protection	4kV (Line to Earth)

CONSTRUCTION		APPROVALS & LISTINGS	
Housing Material	ADC12 Die Cast Aluminum Alloy	UL/ETL Listed	cULus
Housing Color	Silver	UL/ETL File Number	E473127
Lens Material	Frosted Tempered Glass	IP Rating	IP65
Dimensions (inch/mm)	11-7/8" x 6" x 7-3/4" (301 x 152 x 198 mm)	Wet Location Rated	Yes
Weight (kg/lbs)	2.4kg / 5.3lbs	Rated Lifetime¹	
Installation Method	Wall Mount (included) Ceiling Mount (optional) Pendant Mount (optional)	Models	Lumen Output = 70% of Initial (L₇₀)²
Operation Range (°C/°F)	-40°C to +40°C -40°F to +104°F	JJ1-104-1 JJ1-204-1	>50,000 hrs
Warranty₃	10 Years	1. Rated Lifetime projected the time need for the fixture to drop its lumen output to 70% of its initial value, which was measured based on IESNA LM-79-80 luminaire test report. 2. Calculations based on TM-21 Projection and IESNA LM-80-08 LED test report, estimated rated lifetime (hours) at TA=25 deg C (ambient temperature).	

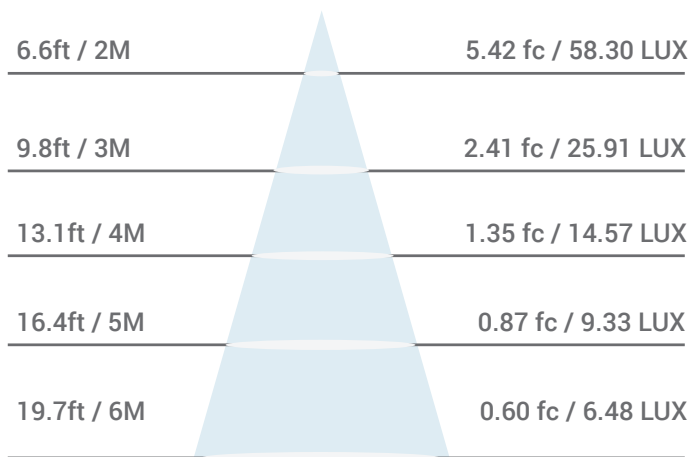
OPTIONAL ACCESSORIES

JJ1-PMK	Pendant mount kit for Vapor Proof Jelly Jar	JJ1-CMK	Ceiling mount kit for Vapor Proof Jelly Jar
----------------	---	----------------	---

POLAR CANDELA DISTRIBUTION



ILLUMINANCE AT A DISTANCE



1. Due to the special conditions of manufacturing, the typical data of optical specifications can only reflect statistical figures and do not necessarily correspond to the actual parameters of each single product which could differ from the typical data.
 2. Exceeding maximum ratings for input voltage and current will cause hazardous overload and will likely destroy the LED fixture.
 3. Refer to Warranty Terms & Conditions available at premiseled.com/warranty
 1. Due to the special conditions of manufacturing, the typical data of optical specifications can only reflect statistical figures and do not necessarily correspond to the actual parameters of each single product which could differ from the typical data.
 2. Exceeding maximum ratings for input voltage and current will cause hazardous overload and will likely destroy the LED fixture.
 3. Refer to Warranty Terms & Conditions available at premiseled.com/warranty