



CF3-SERIES GARAGE LUMINAIRE WITH MOTION SENSOR



Project	
Date	
Prepared by	
Model #	CF3-404-MS-2

OVERVIEW

The CF3 Series is a next generation LED Canopy luminaire purpose-built for parking garages. With a specially designed fresnel lens that provides 360° light dispersal, an integrated motion sensor to detect occupancy, and an ultra-thin profile that helps to preserve height clearance, this is the fixture of choice when a project requires maximum lateral lighting in low height environments.

PRODUCT HIGHLIGHTS

- Integrated Multi-Function Microwave Motion Sensor Sets Detection Zone, Stand-By Time, Dimming and Hold Time
- Aluminum alloy for superior heat dissipation
- Moisture-resistant Wet Location rated and IP65 listed
- Grooved fresnel lens specially engineered for 360° light dispersal
- Epoxy potted driver reduces interference with sensors

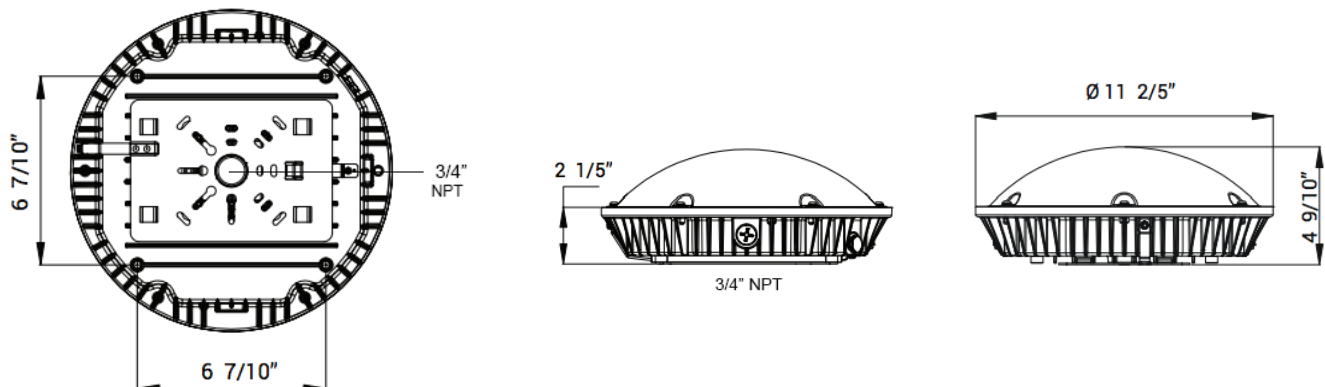
OPTICAL SPECIFICATIONS

Lumen Output (lm) ₁	4949 lm	Beam Angle (°) ₁	150°
CCT (K) ₁	4000k	Projected Lifetime (L ₇₀)	>50,000 hrs
CRI (Ra) ₁	>87.1	Lumen Maintenance Factor	70% (L ₇₀)
Efficacy (lm/W) ₁	118.51 lm/W	Chromaticity Shift	±50K

ELECTRICAL SPECIFICATIONS

Power	40W	Current Draw at 208V _{AC} (A) ₂	0.24A
Apparent Power (VA)	44.8VA	Current Draw at 240V _{AC} (A) ₂	0.21A
System Wattage (W)	41.8W	Current Draw at 277V _{AC} (A) ₂	0.18A
Input Voltage ₂	200-350VAC	Current Draw at 347V _{AC} (A) ₂	0.15A

PRODUCT DIMENSIONS

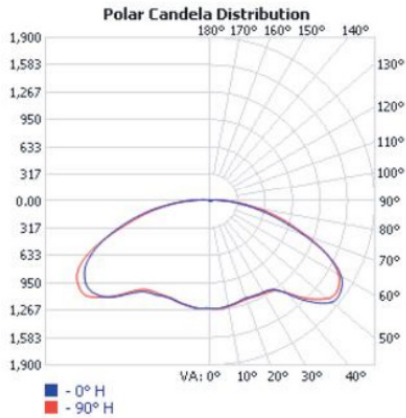


LED & DRIVER SPECIFICATIONS

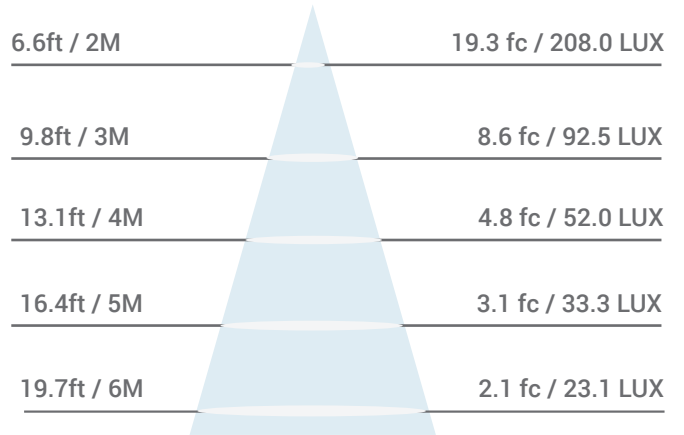
LED (Brand)	NICHIA	Power Factor	0.93
LED Design Origin	Japan	THD	18.79%
LED Type	SMD 3030	Inrush Current (A)	Cold Start 28A at 350VAC
Dimmable	Yes (1-10V)	Driver Class	Class 2
Output Voltage (VDC)	30-42VDC	Driver Feature	Epoxy potted
Lighting Control	Microwave Occupancy Sensor	Surge Protection	2kV (Line to Earth)

CONSTRUCTION		APPROVALS & LISTINGS							
Housing Material	Powder Coated Aluminum Alloy	DLC Premium	PL8LTTPFUIJT						
Housing Color	White	IP Rating	IP65						
Lens Material	Polycarbonate	Wet Location Rated	E473127						
Dimensions (inch/mm)	11.3"Φ x 4.9" 287 mmΦ x 125 mm	UL/ETL Listed	cULus						
Knockout Size	3/4" NPT	UL/ETL File Number	E473127						
Weight (kg/lbs)	4 kgs / 8.8 lbs	<table border="1"> <tr> <th colspan="2">Rated Lifetime¹</th> </tr> <tr> <th>Models</th> <th>Lumen Output = 70% of Initial (L₇₀)²</th> </tr> <tr> <td>CF3-40x-MS-x CF3-60x-MS-x</td> <td>>50,000 hrs</td> </tr> </table>		Rated Lifetime ¹		Models	Lumen Output = 70% of Initial (L ₇₀) ²	CF3-40x-MS-x CF3-60x-MS-x	>50,000 hrs
Rated Lifetime ¹									
Models	Lumen Output = 70% of Initial (L ₇₀) ²								
CF3-40x-MS-x CF3-60x-MS-x	>50,000 hrs								
Installation Method	Surface mount, pendant mount	<ol style="list-style-type: none"> Rated Lifetime projected the time needed for the fixture to drop its lumen output to 70% of its initial value, which was measured based on IESNA LM-79-80 luminaire test report. Calculations are based on TM-21 luminaire test report, estimated rated lifetime (hours) at T_A=77°F / 25°C (ambient temperature). 							
Operation Range (°C/°F)	-40°C to 40°C -40°F to 104°F								
Warranty ₃	10 Year (fixture), 5 Year (sensor)								

POLAR CANDELA DISTRIBUTION



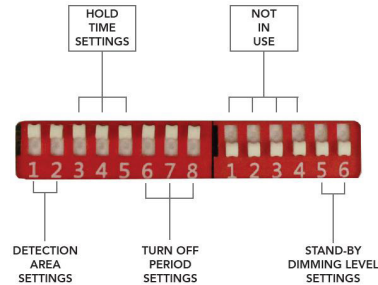
ILLUMINANCE AT A DISTANCE



MOTION SENSOR DEFAULT SETTINGS

By default the fixture's motion sensor is preset with the following default settings:

- Detection at 65 feet / 20 meters range (100%)
- Starts to dim after 5 seconds
- Dims at dimming Level of 10%
- Turn off at 0 seconds (immediately)



1. Due to the special conditions of manufacturing, the typical data of optical specifications can only reflect statistical figures and do not necessarily correspond to the actual parameters of each single product which could differ from the typical data.
 2. Exceeding maximum ratings for input voltage and current will cause hazardous overload and will likely destroy the LED fixture.
 3. Refer to Warranty Terms & Conditions available at premiseled.com/warranty