



WP6-SERIES

TRADITIONAL WALL PACK

Catalog #	
Project	
Date	
Prepared by	
Model #	WP6-804-1

OVERVIEW

The WP6-Series LED Traditional Style Wall Pack uses industry-leading LED chips and drivers to deliver a quality, energy saving lighting solution. It is also designed for an easy install, directly fitting onto existing electrical boxes, making it the contractor's choice when replacing older high pressure sodium and metal halide wall packs.



PRODUCT HIGHLIGHTS

- 110° beam angle
- CRI 80
- -40°C/F minimum start temperature
- Aluminum alloy housing with glass lens



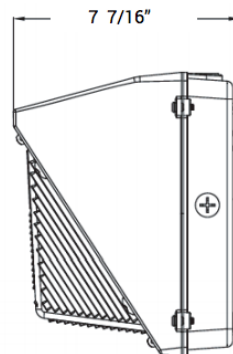
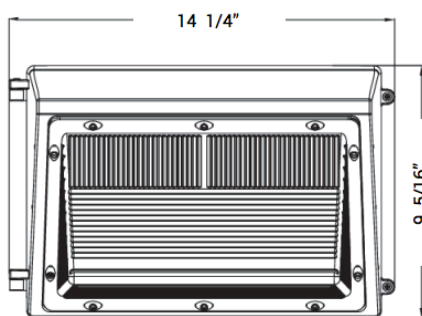
OPTICAL SPECIFICATIONS

Lumen Output (lm)	8513	Beam Angle (°)	110°
CCT (K)	4000K	Projected Lifetime (L ₇₀)	50,000
CRI (Ra)	82.2	Lumen Maintenance Factor	70%
Efficacy (lm/W)	109.52 lm/W		

ELECTRICAL SPECIFICATIONS

Power (W)	80W	Current Draw at 120V _{AC} (A)	0.67A
Apparent Power (VA)	70.785VA	Current Draw at 208V _{AC} (A)	0.39A
System Wattage (W)	77.74W	Current Draw at 240V _{AC} (A)	0.34A
Replacement for	Up to 250W HID	Current Draw at 277V _{AC} (A)	0.29A
Input Voltage	100-277V		

PRODUCT DIMENSIONS



LED & DRIVER SPECIFICATIONS

LED Design Origin	CHINA	Power Factor	0.9287
LED Brand	REFOND	THD	14.26%
LED Type	SMD3030	Driver Class	Class 2
Dimmable	No	Surge Protection	L-N:4KV, LN-GND:6KV
Output Voltage (VDC)	30-48VDC	Driver Brand	DAERMAY

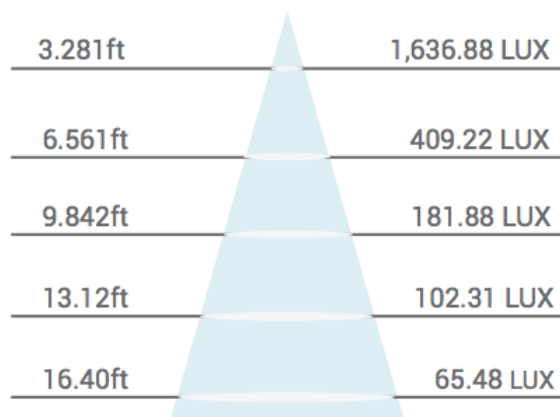
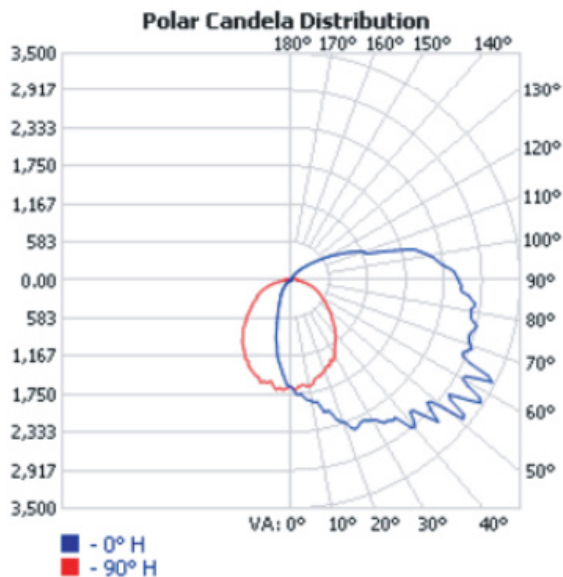
CONSTRUCTION		APPROVALS & LISTINGS	
Housing Material	Aluminum Alloy	DLC	PL2WFIK3PYYD
Housing Color	Dark Bronze	UL/ETL Listed	ETL Listed
Lens Material	Glass	IP Rating	IP65
Dimensions (inch/mm)	14.2" (L) x 9.25" (W) x 7.4" (H) 361mm (L) x 235mm (W) x 187mm (H)	Wet Location	Yes
Weight (kg/lbs)	4.05kg / 8.93lbs		
Installation Method	Wall mount		
Operation Range (°C/°F)	-40°F to 113°F/-40°C to 45°C		
Warranty	10 years		

OPTIONAL ACCESSORIES

WP6-SHIELD Glare Shield for WP6-SERIES Traditional Wall Pack

POLAR CANDELA DISTRIBUTION

ILLUMINANCE AT A DISTANCE



1. Due to the special conditions of manufacturing, the typical data of optical specifications can only reflect statistical figures and do not necessarily correspond to the actual parameters of each single product which could differ from the typical data.
 2. Exceeding maximum ratings for input voltage and current will cause hazardous overload and will likely destroy the LED fixture.
 3. Refer to Warranty Terms & Conditions available at premiseled.com/warranty