



Project	
Date	
Prepared by	
Model #	LHB2-1354-2-W18610

LHB2-SERIES LINEAR HIGH BAY



OVERVIEW

The LHB2-Series Linear High Bay provides high efficacy and energy savings to projects that require optimized lighting in high ceiling applications. Available in both regular or narrow form factors, these linear high bays are the energy efficient replacements for traditional fluorescent fixtures and HID highbays.

PRODUCT HIGHLIGHTS

- High Efficacy 130+ lm/W
- Polycarbonate Lens
- 0-10V Dimmable
- Flexible mounting options
- Pre-installed disconnects
- Chain Hanging Kit and Pendant Mount Kit Included



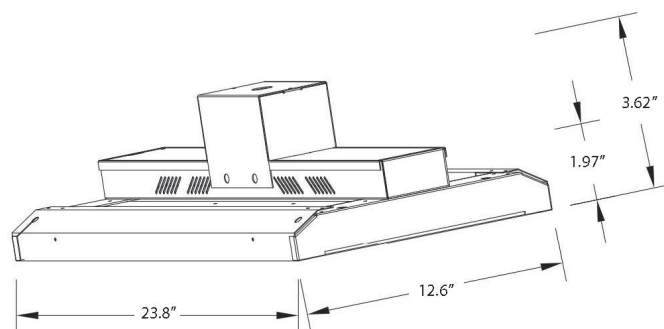
OPTICAL SPECIFICATIONS

Lumen Output (lm) ₁	18198.6	Beam Angle (°) ₁	120°
CCT (K) ₁	4000K	Projected Lifetime (L ₇₀)	50,000
CRI (Ra) ₁	80	Chromaticity Shift	±200K
Efficacy (lm/W) ₁	132.837 lm/W		

ELECTRICAL SPECIFICATIONS

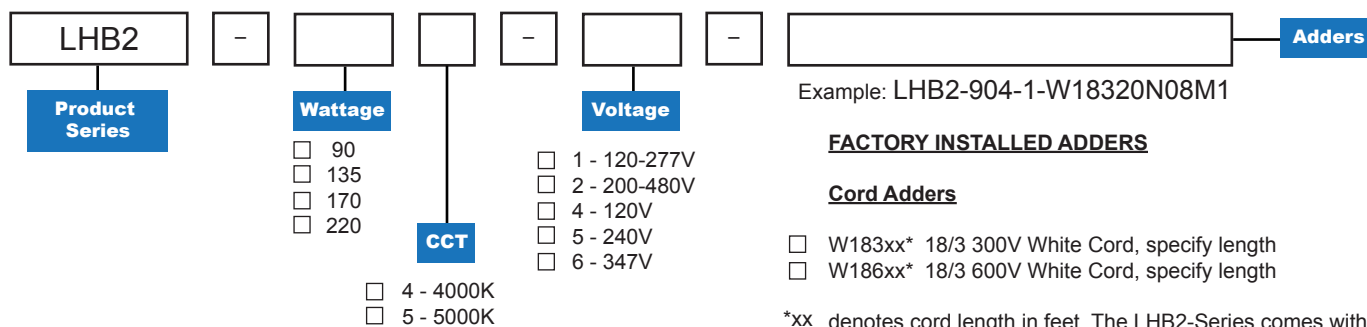
Power	135 W	Current Draw at 208V _{AC} (A) ₂	0.68A
Apparent Power (VA)	128VA	Current Draw at 240V _{AC} (A) ₂	0.59A
System Wattage (W)	137 W	Current Draw at 277V _{AC} (A) ₂	0.51A
Input Voltage	200-480V	Current Draw at 347V _{AC} (A) ₂	0.4A
Replacement For	6 lamp 32W T8 or 4 lamp T5 HO or 400W MH	Current Draw at 480V _{AC} (A) ₂	0.29A

PRODUCT DIMENSIONS



CONSTRUCTION		LED AND DRIVER SPECIFICATIONS	
Housing Material	Powder Coated Galvanized Steel	LED (Brand)	EPISTAR
Housing Color	White	LED Design Origin	CHINA
Lens Material	Polycarbonate (PC)	LED Type	SMD2835
Dimensions (inch/mm)	23.8" (L) x 12.6" (W) x 3.62" (H) 604mm (L) x 320mm (W) x 92mm (H)	Dimmable	Y, (0-10V)
Installation Method	V-Hook & Chain Hanging Kit Pendant Mount Kit	Output Voltage (VDC)	30-50V
Weight (kg/lbs)	5kg/11.02 lb	Power Factor	0.9133
Operation Range (°F/°C)	-22°F to 122°F / -30°C to 50°C	THD	10.96 %
Warranty	10 yrs	Surge Protection	2kV
APPROVALS AND LISTINGS		Inrush Current (A)	30A
DLC Premium	PE04RBLR	Driver Class	CLASS 2
UL/ETL	cETLus	Driver Brand	FAHOLD

PRODUCT KEY



FACTORY INSTALLED ADDERS

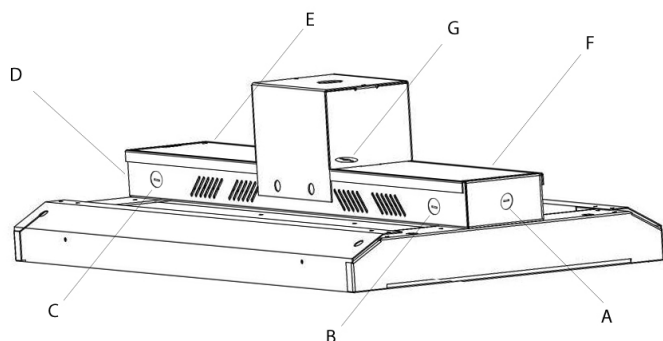
Cord Adders

- W183xx* 18/3 300V White Cord, specify length
- W186xx* 18/3 600V White Cord, specify length

*xx denotes cord length in feet. The LHB2-Series comes with a pre-installed 10 foot cord. If a different length is required, indicate the cord length based on number of feet required.

Cord and Sensor Installation Positions

When ordering, please specify the knockout positions for cords and sensors.



Cord End Adders

- N01 5-15P 125V 15A Straight Plug
- N02 6-15P 250V 15A Straight Plug
- N04 L5-15P 125V 15A Locking Plug
- N05 L6-15P 250V 15A Locking Plug
- N06 L7-15P 277V 15A Locking Plug
- N07 5-20P 125V 20A Straight Plug
- N08 6-20P 250V 20A Straight Plug
- N09 7-20P 277V 20A Straight Plug
- N10 L5-20P 125V 20A Locking Plug
- N11 L6-20P 250V 20A Locking Plug
- N12 L7-20P 277V 20A Locking Plug
- N13 L24-20P 347V 20A Locking Plug
- N14 L8-20P 480V 20A Locking Plug

Motion Sensor Adders

- M1 PIR Motion Sensor (ON/OFF)

*Fixture comes standard with a 10-foot cord located at Knockout C/F

1. Due to the special conditions of manufacturing, the typical data of optical specifications can only reflect statistical figures and do not necessarily correspond to the actual parameters of each single product which could differ from the typical data.
 2. Exceeding maximum ratings for input voltage and current will cause hazardous overload and will likely destroy the LED fixture.
 3. Refer to Warranty Terms & Conditions available at premiseled.com/warranty

Specifications and dimensions
subject to change without notice.

3401 ENTERPRISE PARKWAY
BEACHWOOD, OH USA 44122

80-86 CARRIER DRIVE
TORONTO, ON CANADA M9W 5R1

OPTIONAL ACCESSORIES

LHB-WG-01

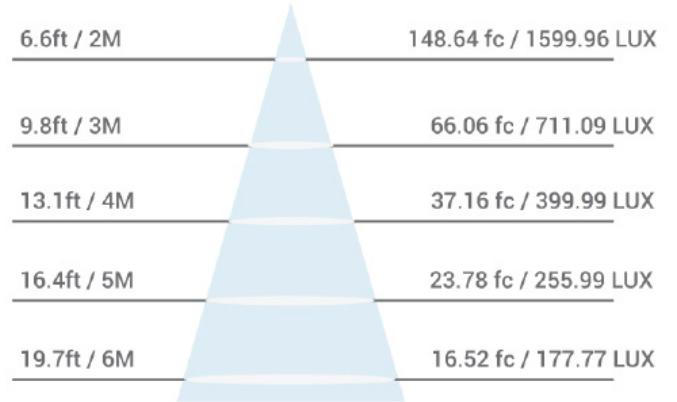
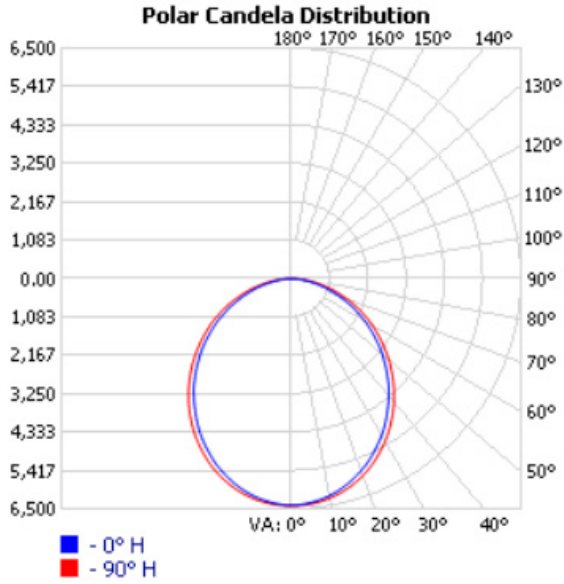
Wire Guard for 90W and 135W models

LHB-WG-02

Wire Guard for 170W and 220W models

CANDELA

ILLUMINANCE AT A DISTANCE



1. Due to the special conditions of manufacturing, the typical data of optical specifications can only reflect statistical figures and do not necessarily correspond to the actual parameters of each single product which could differ from the typical data.
 2. Exceeding maximum ratings for input voltage and current will cause hazardous overload and will likely destroy the LED fixture.
 3. Refer to Warranty Terms & Conditions available at premiseled.com/warranty

Specifications and dimensions
 subject to change without notice.

3401 ENTERPRISE PARKWAY
 BEACHWOOD, OH USA 44122

80-86 CARRIER DRIVE
 TORONTO, ON CANADA M9W 5R1