



Project	
Date	
Prepared by	
Model #	FLS1-804TR-1

FLS1- SERIES ULTRA-SLIM FLOOD LIGHT

OVERVIEW

The FLS1 Ultra-Slim Flood Light series is an ultra low-profile LED flood light designed for mounting on poles or walls to illuminate building perimeters, walkways, and landscapes or for wall graze and wall wash accent lighting.



PRODUCT HIGHLIGHTS

- Ultra low-profile and light-weight design lends to versatility
- Durable polycarbonate lens
- Easily mounts on waterproof J-box
- 5 year warranty



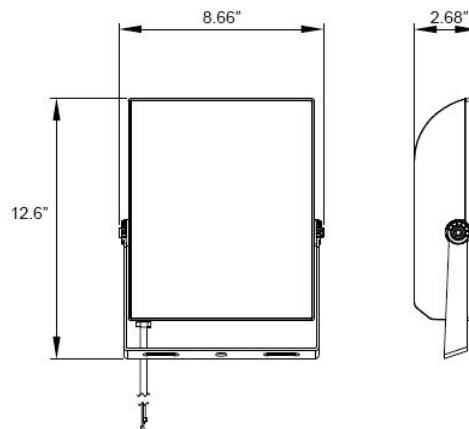
OPTICAL SPECIFICATIONS

Lumen Output (lm) ₁	7716 lm	Beam Angle (°) ₁	95°
CCT (K) ₁	4000K	Projected Lifetime (L ₇₀)	50,000 hours
CRI (Ra) ₁	82.6	Lumen Maintenance Factor	70%
Efficacy (lm/W) ₁	104.37 lm/W		

ELECTRICAL SPECIFICATIONS

Power	80W	Current Draw at 120V _{AC} (A) ₂	0.68A
Apparent Power (VA)	80VA	Current Draw at 208V _{AC} (A) ₂	0.38A
System Wattage (W)	73.936W	Current Draw at 240V _{AC} (A) ₂	0.33A
Input Voltage	100-277V	Current Draw at 277V _{AC} (A) ₂	0.27A

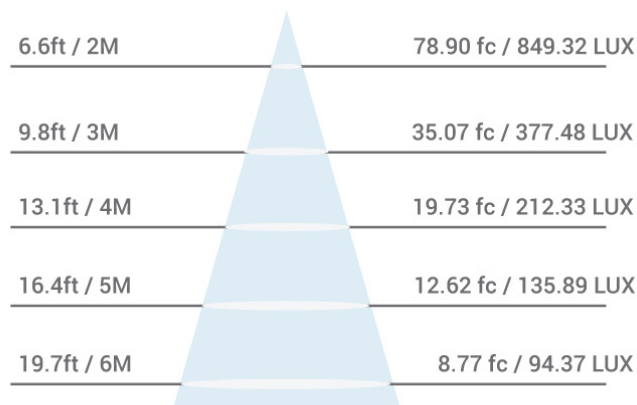
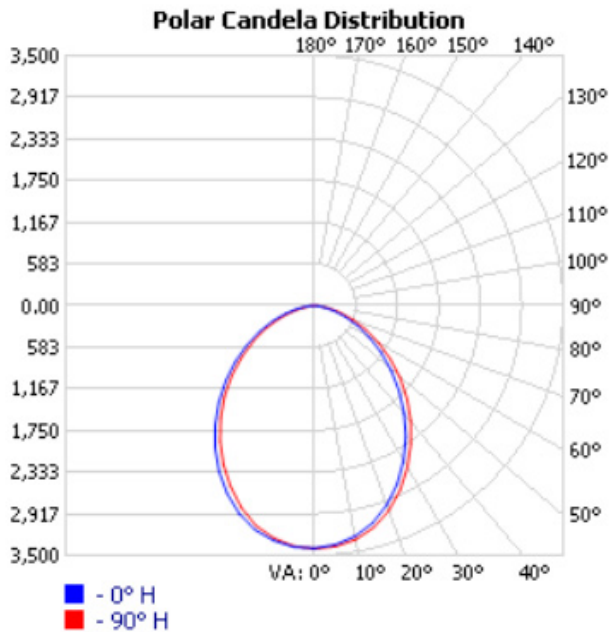
PRODUCT DIMENSION



CONSTRUCTION		APPROVALS AND LISTINGS	
Housing Material	Die-cast aluminum	DLC	PLPA9ELUHILT
Housing Color	Dark Bronze	Wet Location Rated	Yes
Lens Material	Polycarbonate		
Dimensions (inch/mm)	220 mm (L) x 320 mm (H) x 68 mm (D) 8.66" (L) x 12.6" (H) x 2.68" (D)	UL/ETL	cETLus
Installation Method	Yoke	UL/ETL File Number	4008363
Operation Range (°F/°C)	-40°C to 40°C -40°F to 104°F		
IP Rating	IP65		
Warranty	5 Years		

LED AND DRIVER SPECIFICATIONS			
LED (Brand)	SMD	Output Voltage (VDC)	36±2V
LED Design Origin	Korea	Power Factor	0.894
LED Type	2835	THD	21.72%
Dimmable	No		

CANDELA	ILLUMINANCE AT A DISTANCE
---------	---------------------------



1. Due to the special conditions of manufacturing, the typical data of optical specifications can only reflect statistical figures and do not necessarily correspond to the actual parameters of each single product which could differ from the typical data.
2. Exceeding maximum ratings for input voltage and current will cause hazardous overload and will likely destroy the LED fixture.
3. Refer to Warranty Terms & Conditions available at premiseled.com/warranty