



# FLS1 SERIES ULTRA SLIM FLOOD LIGHTS



## INSTALLATION INSTRUCTIONS

For use with:

FLS1-304KN-1 | FLS1-304TR-1  
FLS1-504TR-1 | FLS1-804TR-1

### WHAT'S IN THE BOX

- LED ULTRA-SLIM FLOOD LIGHT FIXTURE
- 2 X EXPANSION BOLTS

### WHAT YOU'LL NEED

- SCREWDRIVER / POWER DRILL
- WIRE CUTTERS
- IP65 J-BOX
- WIRING SUPPLIES AS SPECIFIED BY ELECTRICAL CODE

### WARNING

To avoid the risk of fire, explosion, or electric shock, this product should be installed, inspected, and maintained by a qualified electrician only, in accordance with all applicable electrical codes.

Be certain electrical power is OFF before and during installation and maintenance.

Make sure the supply voltage is the same as the rated luminaire voltage.

Do not operate in ambient temperatures above those indicated on the luminaire nameplate.

### IMPORTANT

Before assembling your fixture, please make sure that you carefully read through this instruction sheet. Consider having your fixture installed by a qualified licensed electrician.

### GENERAL INFORMATION

This LED Flood Light uses the latest in solid state lighting technology for long life, low maintenance, and high efficiency. The same as traditional HID lighting. Suitable for use in the following locations: ambient temperature of -40° and wet locations.

The fixtures can be installed using two installation methods, dependent on the model you purchased: via junction box mount or direct surface mounting.

PREMISE LED Inc.  
80-86 Carrier Drive  
Toronto, ON Canada  
M9W 5R1  
PREMISELED.COM

## INSTALLING VIA TRUNNION MOUNT

For Trunnion Mount models:

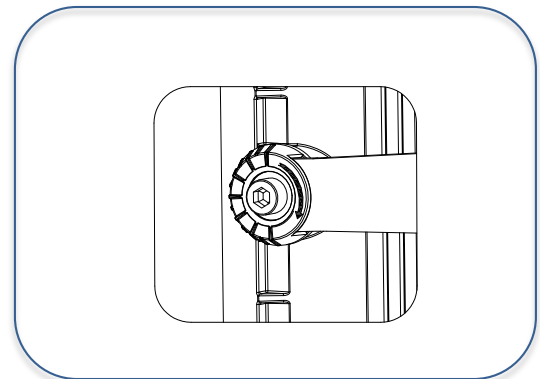
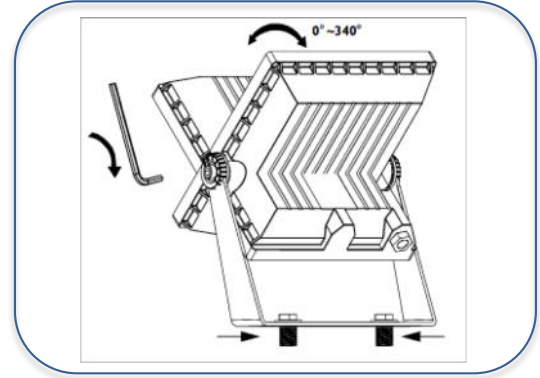
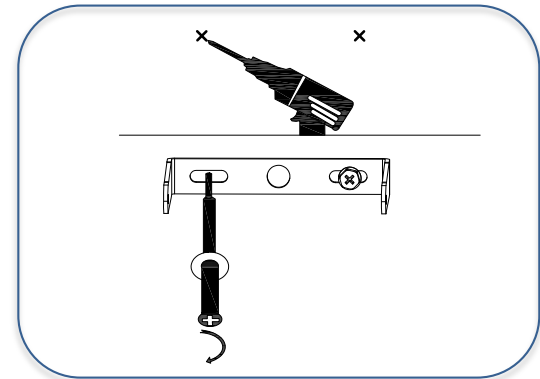
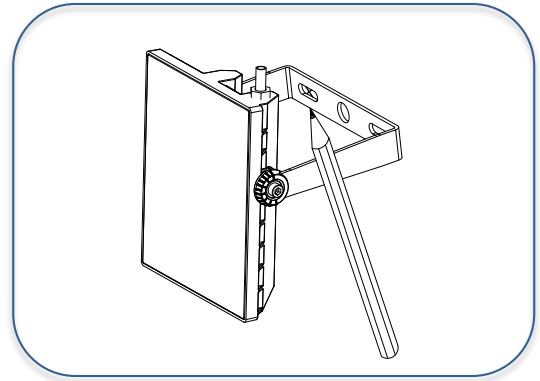
- Using the trunnion mount holes as a guide, mark the installation points.
- Use expansion bolts (included) to secure the fixture onto the mounting surface at the marked installation points.
- Keep enough length wires to ensure adjusting angle unhindered.
- Connect wires into wiring terminal; white wire to “Neutral” terminal, black wire to “Live” terminal, green wire to “Ground” terminal.

**Note:** for 208V, connect second live wire to white wire.

- Adjust the beam angle of the flood light to point in the desired direction. Follow the recommended torque (Nm) required based on fixture wattage.

	10W	30W	50W	80W
Torque (Nm)	1.8	8	8	8

- Restore the electricity and check the operation of your new lighting fixture.



## WIRING DIAGRAM



## INSTALLING VIA KNUCKLE MOUNT

For Knuckle Mount models:

1. Pull the connecting wire through the knockout of the junction box.
1. Screw the fixture into the junction box and tighten the mounting nut with a 30-gauge wrench.
3. Connect wires into wiring terminal; white wire to "Neutral" terminal, black wire to "Live" terminal, green wire to "Ground" terminal.

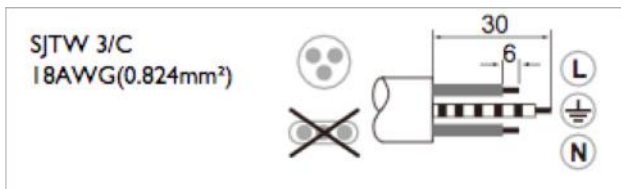
**Note:** for 208V, connect second live wire to white wire.

4. Adjust the beam angle of the flood light to point in the desired direction. Follow the recommended torque (Nm) required based on fixture wattage.

30W	
Torque (Nm)	8

5. Restore the electricity and check the operation of your new lighting fixture.

### WIRING DIAGRAM



**Note:** Knuckle mount is sized to fit a 1/2" NPT

