



MS1 SERIES SIDE ARM MOUNT MICROWAVE MOTION SENSOR 347-480V



**5 YEAR
WARRANTY**

Catalog #	
Project	
Date	
Prepared by	
Model #	MS1-DHR-SA-4

OVERVIEW

The MS1-DHR-SA-4 is used exclusively with the HBX1-2 series high bay. It mounts to the HBX1-2 by using the side arm mount HB-HVSAX1. This device uses microwave technology to detect motion.

PRODUCT HIGHLIGHTS

- Microwave technology
- Remote control programming
- Settings include: detection range, hold time, stand-by dimming level, stand-by period, and daylight sensor
- For high ceiling applications ranging from 15-48ft
- 360° of coverage
- Installed onto side arm mount (included)
- Load: 0-798W/VA@347V,0-1200W/VA @480V

ELECTRICAL SPECIFICATIONS

Input Voltage	347-480VAC	Current Draw at 347V _{AC} (A)	2.3A
Max Watts	Load: 0-798W/VA@347V, 0-1200W/VA @480V	Current Draw at 480V _{AC} (A)	2.5A

CONSTRUCTION

Housing Material	Polycarbonate
Housing Color	Black
Ambient Operating Humidity	0-85% RH, (non-condensing)
Dimensions (inch/mm)	121mm x 80mm x 67mm
Weight (kg/lbs)	0.28 kg
Installation Method	Screws onto side arm attachment
Operation Range (°C/°F)	-20-55°C / -4-131°F
Warranty	5 years

APPROVALS & LISTINGS

IP Rating	IP65
UL/ETL Listed	Pending

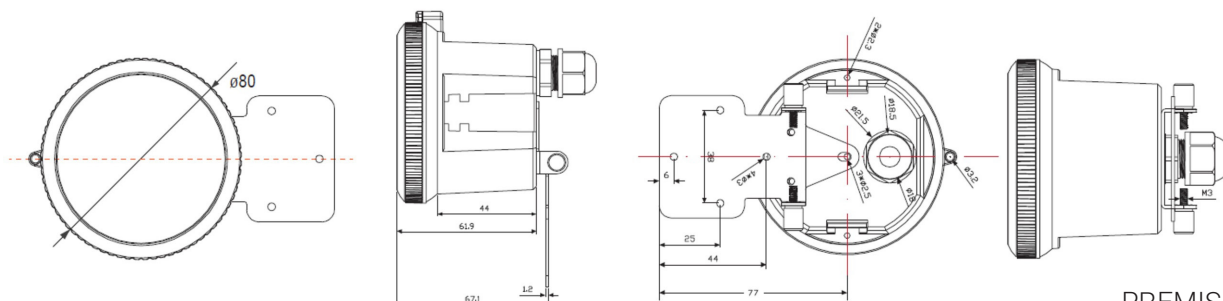
FIELD OF VIEW

Sensor Coverage	1657 ft. sq.
-----------------	--------------

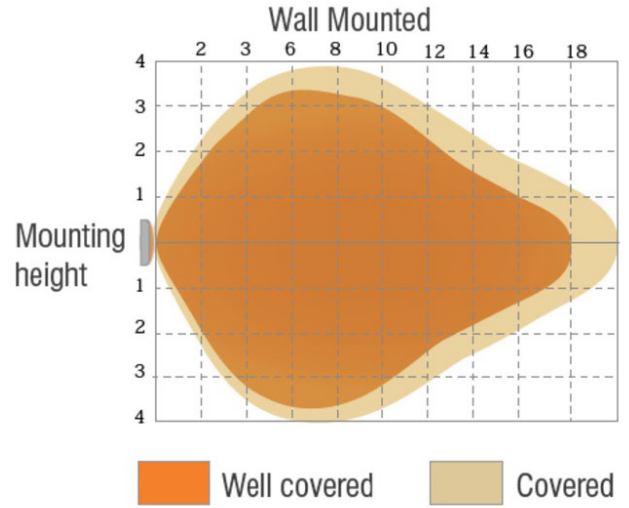
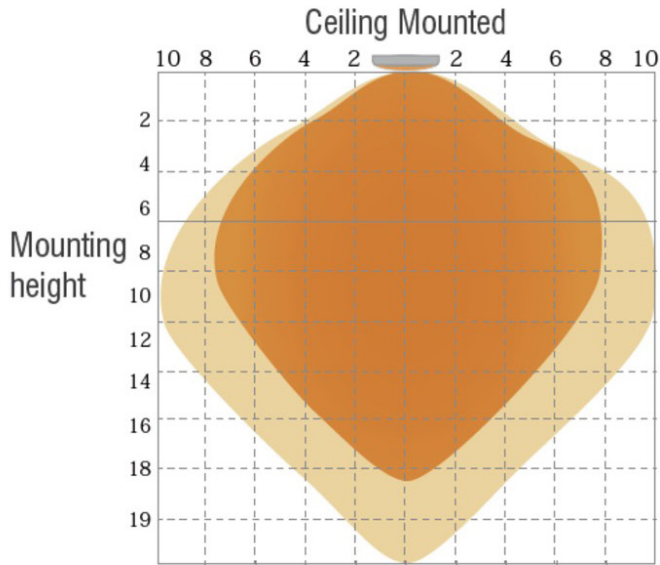
SENSOR SETTINGS

Sensitivity Adjustment	25%/50%/75%/100%
Sensor Type	Microwave
Sensor Application	Side arm attachment mount, hard wired
Stand-by period	0s/10s/30s/1min/5min/10 min/30min/∞

PRODUCT DIMENSIONS



FIELD OF VIEW



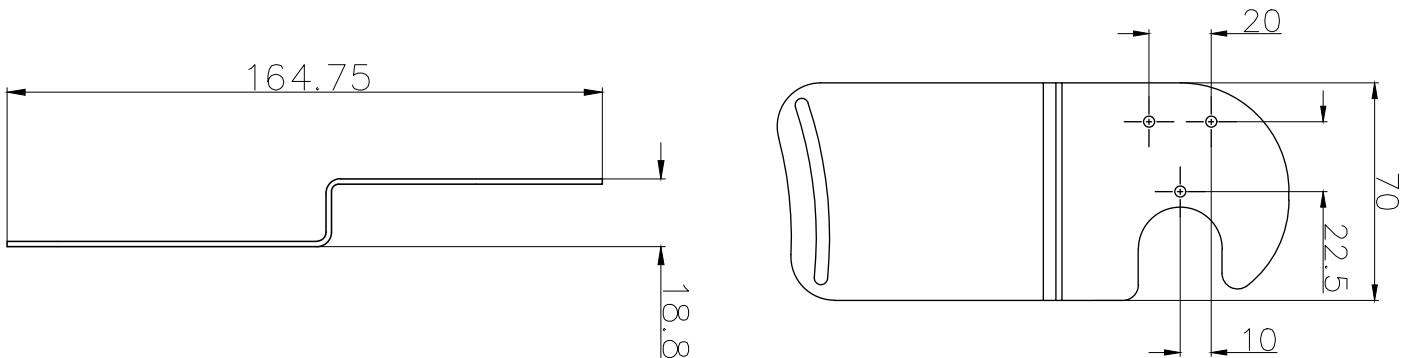
Well covered Covered



PRODUCT INFORMATION

Model #	Side arm attachment for MS1-DHR-SA-4
Material	Steel
Use	For mounting the MS1-DHR-SA-4 sensor onto HBX1 347-480V High Bays
Dimensions	6.49" x 2.75" 164.75mm x 70mm

PRODUCT DIMENSIONS



1. Due to the special conditions of manufacturing, the typical data of optical specifications can only reflect statistical figures and do not necessarily correspond to the actual parameters of each single product which could differ from the typical data.
 2. Exceeding maximum ratings for input voltage and current will cause hazardous overload and will likely destroy the LED fixture.
 3. Refer to Warranty Terms & Conditions available at premiseled.com/warranty

Specifications and dimensions
subject to change without notice.

3401 ENTERPRISE PARKWAY
BEACHWOOD, OH USA 44122

80-86 CARRIER DRIVE
TORONTO, ON CANADA M9W 5R1