



Project	
Date	
Prepared by	
Model #	VP2-4464-3

# VP2-SERIES VAPOR PROOF LINEAR FIXTURE



## OVERVIEW

The VP2-Series Vapor Proof is a dependable, energy efficient luminaire designed to be used in environments subject to high levels of moisture and dust.

## PRODUCT HIGHLIGHTS

- 4 foot length
- $\geq 80$  CRI
- Polycarbonate housing and diffuser
- 50,000 hour lifespan
- Ready for ceiling or wall mounting
- Suitable for  $-40\text{ }^{\circ}\text{C}$  to  $-40\text{ }^{\circ}\text{F}$



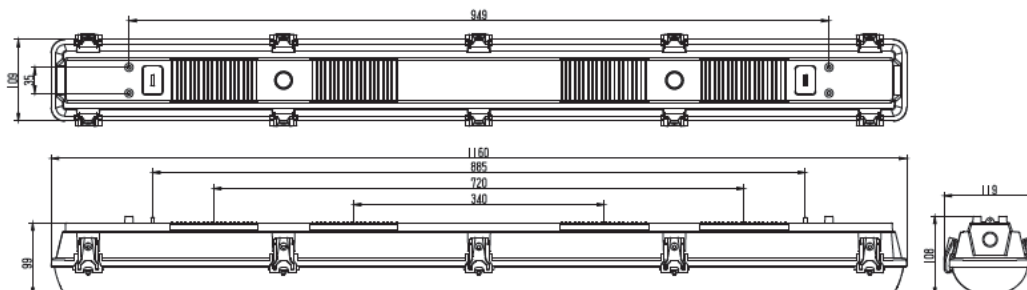
### OPTICAL SPECIFICATIONS

Lumen Output (lm) <sub>1</sub>	5901 lm	Beam Angle (°) <sub>1</sub>	110°
CCT (K) <sub>1</sub>	4000K	Projected Lifetime (L <sub>70</sub> )	50,000 h
CRI (Ra) <sub>1</sub>	80	Chromaticity Shift	$\pm 275\text{K}$
Efficacy (lm/W) <sub>1</sub>	131 lm/W		

### ELECTRICAL SPECIFICATIONS

Power	46W	Replacement For	2 lamp 32W T8
Apparent Power (VA)	47VA	Current Draw at 120V <sub>AC</sub> (A) <sub>2</sub>	0.45A
System Wattage (W)	45.05W	Current Draw at 208V <sub>AC</sub> (A) <sub>2</sub>	0.25A
Input Voltage	120-347V	Current Draw at 240V <sub>AC</sub> (A) <sub>2</sub>	0.23A
Output Voltage (VDC)	25-42V	Current Draw at 277V <sub>AC</sub> (A) <sub>2</sub>	0.2A

### PRODUCT DIMENSIONS

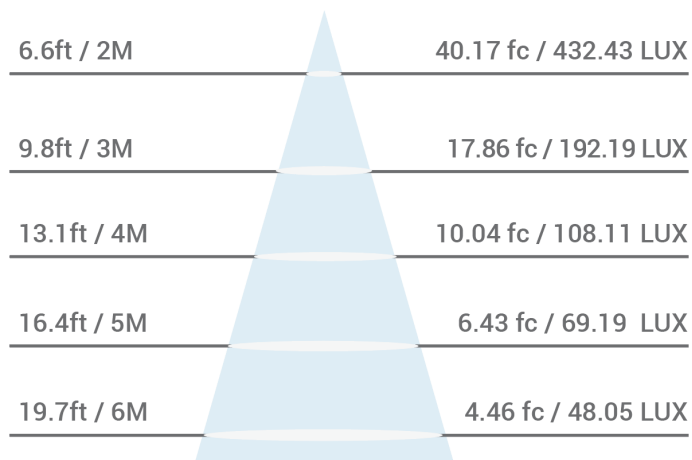
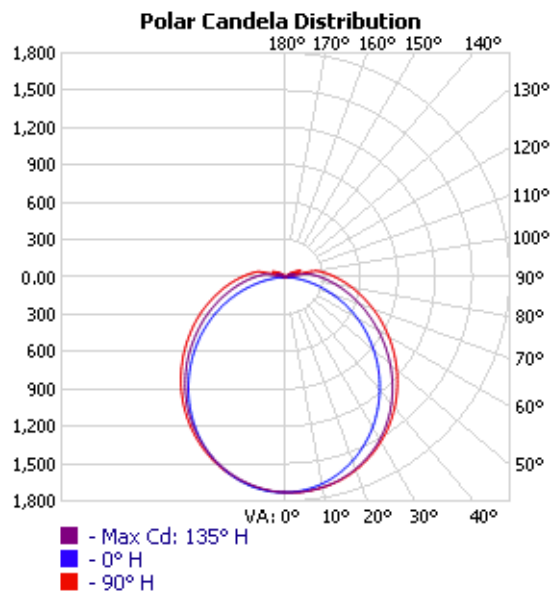


CONSTRUCTION		LED AND DRIVER SPECIFICATIONS	
Housing Material	Polycarbonate	LED Type	SMD
Housing Color	Gray	Dimmable	Yes (0-10 V)
Lens Material	Polycarbonate	Power Factor	0.9
Dimensions (inch/mm)	45.66" (L) x 4.72" (W) x 4.25" (H) 1160mm (L) x 120mm (W) x 108mm (H)	THD	16%
Weight (kg/lbs)	2.17kg / 4.77lbs	Surge Protection	LN-G:2KV;L-N:1KV
Installation Method	Surface mount, Chain mount	Inrush Current (A)	50A
Operation Range (°F/°C)	-40°C to 40°C -40°F to 104°F	Driver Class	Class 2
Warranty	10 Years		

### APPROVALS AND LISTINGS

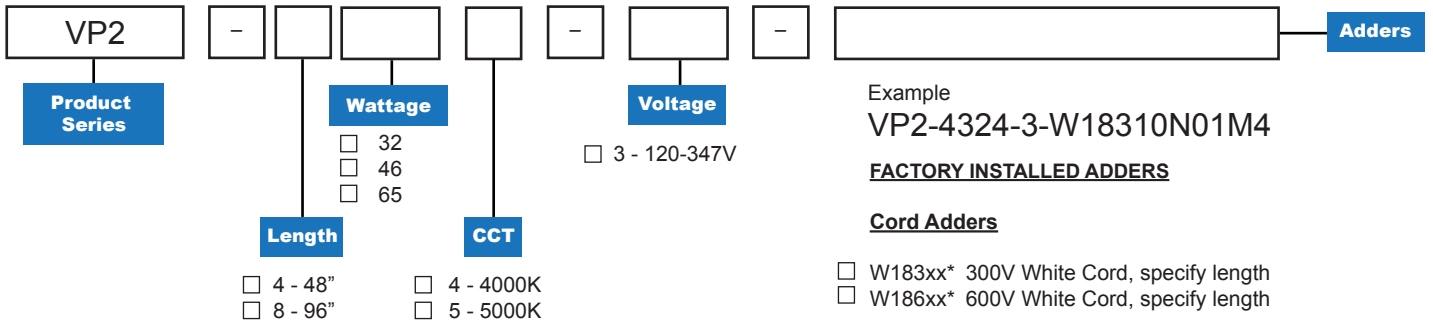
DLC Premium	PYXHQ438	Damp Location Rated	Yes
Wet Location Rated	Yes	IK Rating	IK10
UL/ETL	cETLus	NSF Rating	NSF/ANSI 2 - Food Equipment
IP Rating	IP66	NEMA Enclosure Type	NEMA 4X

### CANDELA ILLUMINANCE AT A DISTANCE



1. Due to the special conditions of manufacturing, the typical data of optical specifications can only reflect statistical figures and do not necessarily correspond to the actual parameters of each single product which could differ from the typical data.  
2. Exceeding maximum ratings for input voltage and current will cause hazardous overload and will likely destroy the LED fixture.  
3. Refer to Warranty Terms & Conditions available at [premiseled.com/warranty](http://premiseled.com/warranty)

## PRODUCT KEY



Example  
**VP2-4324-3-W18310N01M4**

**FACTORY INSTALLED ADDERS**

**Cord Adders**

- W183xx\* 300V White Cord, specify length
- W186xx\* 600V White Cord, specify length

\*XX denotes cord length in feet. Comes with a pre-installed 6 foot cord. If a different length is required, indicate the cord length based on number of feet required.

**Cord End Adders**

- N01 NEMA 5-15P 125V 15A Straight Plug
- N02 NEMA 6-15P 250V 15A Straight Plug
- N04 NEMA L5-15P 125V 15A Locking Plug
- N05 NEMA L6-15P 250V 15A Locking Plug
- N06 NEMA L7-15P 277V 15A Locking Plug
- N07 NEMA 5-20P 125V 20A Straight Plug
- N08 NEMA 6-20P 250V 20A Straight Plug
- N09 NEMA 7-20P 277V 20A Straight Plug
- N10 NEMA L5-20P 125V 20A Locking Plug
- N11 NEMA L6-20P 250V 20A Locking Plug
- N12 NEMA L7-20P 277V 20A Locking Plug
- N13 NEMA L24-20P 347V 20A Locking Plug

**Motion Sensor Adders**

- M4 120-277V Microwave Motion Sensor (not compatible with 8ft.)
- M5 347-480V Microwave Motion Sensor (not compatible with 8ft.)
- M8 120-277V Behind the Lens Microwave Motion Sensor

1. Due to the special conditions of manufacturing, the typical data of optical specifications can only reflect statistical figures and do not necessarily correspond to the actual parameters of each single product which could differ from the typical data.  
 2. Exceeding maximum ratings for input voltage and current will cause hazardous overload and will likely destroy the LED fixture.  
 3. Refer to Warranty Terms & Conditions available at [premiseled.com/warranty](http://premiseled.com/warranty)