



Project	
Date	
Prepared by	
Model #	VPHB1-41504-3

VPHB1-SERIES VAPOR PROOF LINEAR HIGH BAY



OVERVIEW

The VPHB1-Series Vapor Proof Linear High Bay is a dependable, energy efficient luminaire designed to be used in environments subject to high levels of moisture and dust.

PRODUCT HIGHLIGHTS

- 4 foot length
- ≥ 80 CRI
- Polycarbonate housing and diffuser
- 50,000 hour lifespan
- Ready for ceiling or wall mounting
- Suitable for -40°C to -40°F



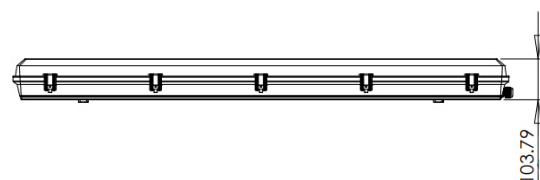
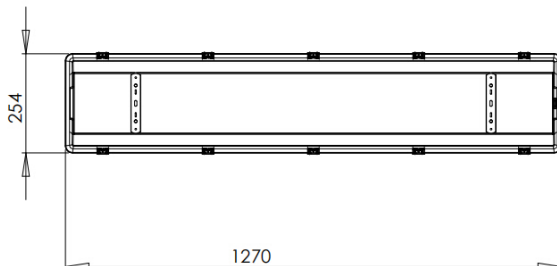
OPTICAL SPECIFICATIONS

Lumen Output (lm) ₁	19848 lm	Beam Angle (°) ₁	110°
CCT (K) ₁	4000K	Projected Lifetime (L ₇₀)	50,000 h
CRI (Ra) ₁	82	Chromaticity Shift	105
Efficacy (lm/W) ₁	132 lm/W		

ELECTRICAL SPECIFICATIONS

Power	150W	Current Draw at 120V _{AC} (A) ₂	1.3A
Apparent Power (VA)	161VA	Current Draw at 208V _{AC} (A) ₂	0.77A
System Wattage (W)	149.6W	Current Draw at 240V _{AC} (A) ₂	0.66A
Input Voltage	120-347V	Current Draw at 277V _{AC} (A) ₂	0.6A
Replacement For	4/6 lamp 32W T8 Vapor Proof High Bay	Current Draw at 347V _{AC} (A) ₂	0.5A
Output Voltage (VDC)	24-48VDC		

PRODUCT DIMENSIONS

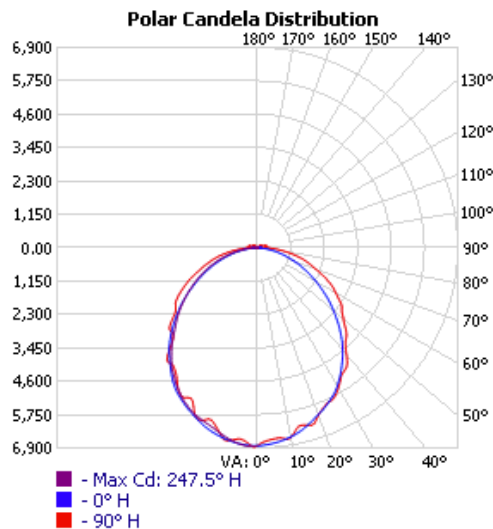


CONSTRUCTION		LED AND DRIVER SPECIFICATIONS	
Housing Material	Polycarbonate	LED Type	2835
Housing Color	Gray	Dimmable	Yes (0-10V)
Lens Material	Polycarbonate	Power Factor	0.96
Dimensions (inch/mm)	50" (L) x 10.39" (W) x 4.53" (H) / 1270mm (L) x 264mm (W) x 115mm (H)	THD	9%
Weight (kg/lbs)	2.17kg/4.78lbs	Surge Protection	2.5kV
Installation Method	Surface mount, chain mount	Inrush Current (A)	30A
Operation Range (°F/°C)	-40°C to 40°C -40°F to 104°F	Driver Class	Class 2
Warranty	10 Years		

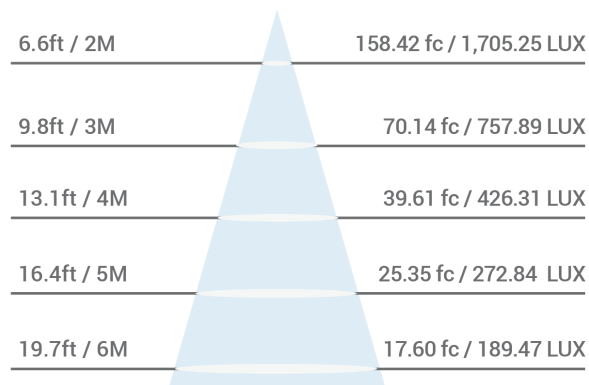
APPROVALS AND LISTINGS

DLC Premium	PE4YLH00	Damp Location Rated	Yes
Wet Location Rated	Yes	IK Rating	IK10
UL/ETL	cETLus	NSF Rating	NSF/ANSI 2 - Food Equipment
IP Rating	IP66	NEMA Enclosure Type	NEMA 4X

CANDELA



ILLUMINANCE AT A DISTANCE



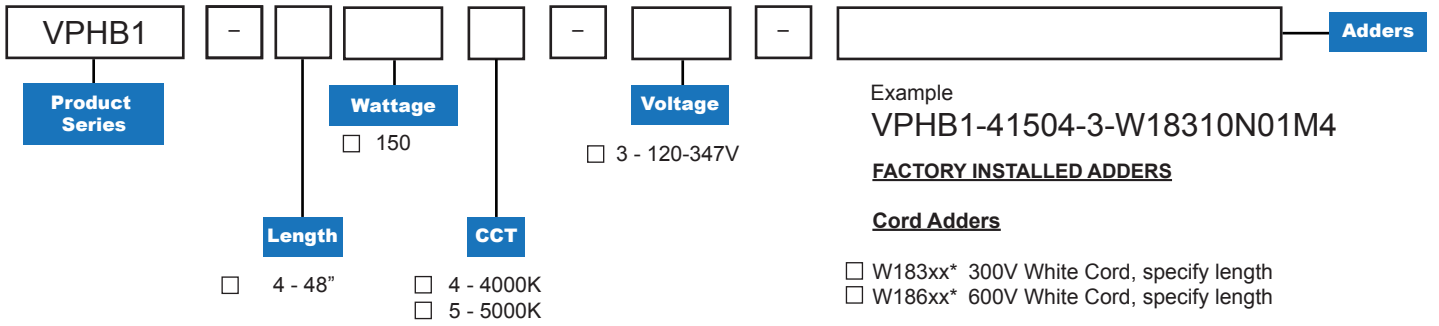
1. Due to the special conditions of manufacturing, the typical data of optical specifications can only reflect statistical figures and do not necessarily correspond to the actual parameters of each single product which could differ from the typical data.
 2. Exceeding maximum ratings for input voltage and current will cause hazardous overload and will likely destroy the LED fixture.
 3. Refer to Warranty Terms & Conditions available at premiseled.com/warranty

Specifications and dimensions
subject to change without notice.

3401 ENTERPRISE PARKWAY
BEACHWOOD, OH USA 44122

80-86 CARRIER DRIVE
TORONTO, ON CANADA M9W 5R1

PRODUCT KEY



Example

VPHB1-41504-3-W18310N01M4

FACTORY INSTALLED ADDERS

Cord Adders

- W183xx* 300V White Cord, specify length
- W186xx* 600V White Cord, specify length

*xx denotes cord length in feet. Comes with a pre-installed 6 foot cord. If a different length is required, indicate the cord length based on number of feet required.

Cord End Adders

- N01 NEMA 5-15P 125V 15A Straight Plug
- N02 NEMA 6-15P 250V 15A Straight Plug
- N04 NEMA L5-15P 125V 15A Locking Plug
- N05 NEMA L6-15P 250V 15A Locking Plug
- N06 NEMA L7-15P 277V 15A Locking Plug
- N07 NEMA 5-20P 125V 20A Straight Plug
- N08 NEMA 6-20P 250V 20A Straight Plug
- N09 NEMA 7-20P 277V 20A Straight Plug
- N10 NEMA L5-20P 125V 20A Locking Plug
- N11 NEMA L6-20P 250V 20A Locking Plug
- N12 NEMA L7-20P 277V 20A Locking Plug
- N13 NEMA L24-20P 347V 20A Locking Plug

Motion Sensor Adders

- M4 120-277V Microwave Motion Sensor
- M5 347-480V Microwave Motion Sensor
- M8 120-277V Behind the Lens Microwave Motion Sensor

1. Due to the special conditions of manufacturing, the typical data of optical specifications can only reflect statistical figures and do not necessarily correspond to the actual parameters of each single product which could differ from the typical data.
 2. Exceeding maximum ratings for input voltage and current will cause hazardous overload and will likely destroy the LED fixture.
 3. Refer to Warranty Terms & Conditions available at premiseled.com/warranty