



Project	
Date	
Prepared by	
Model #	VPHB1-41505-3

# VPHB1-SERIES VAPOR PROOF LINEAR HIGH BAY



## OVERVIEW

The VPHB1-Series Vapor Proof Linear High Bay is a dependable, energy efficient luminaire designed to be used in environments subject to high levels of moisture and dust.

## PRODUCT HIGHLIGHTS

- 4 foot length
- NSF, NEMA 4X, IP66, IK10, Wet Location
- ≥80 CRI
- Polycarbonate housing and diffuser
- 50,000 hour lifespan
- Ready for ceiling or wall mounting



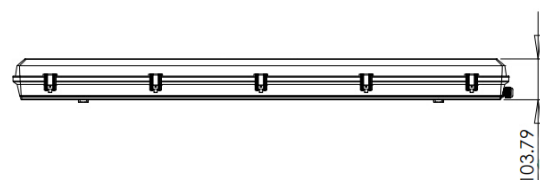
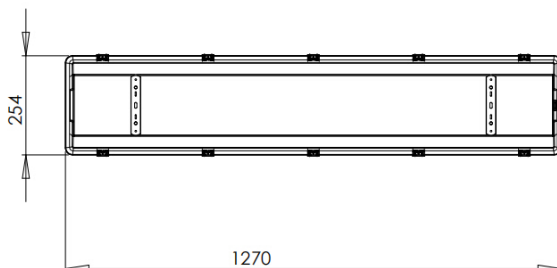
### OPTICAL SPECIFICATIONS

Lumen Output (lm) <sub>1</sub>	19848	Beam Angle (°) <sub>1</sub>	110°
CCT (K) <sub>1</sub>	5000K	Projected Lifetime (L <sub>70</sub> )	50 000
CRI (Ra) <sub>1</sub>	82	Chromaticity Shift	105
Efficacy (lm/W) <sub>1</sub>	132 lm/W		

### ELECTRICAL SPECIFICATIONS

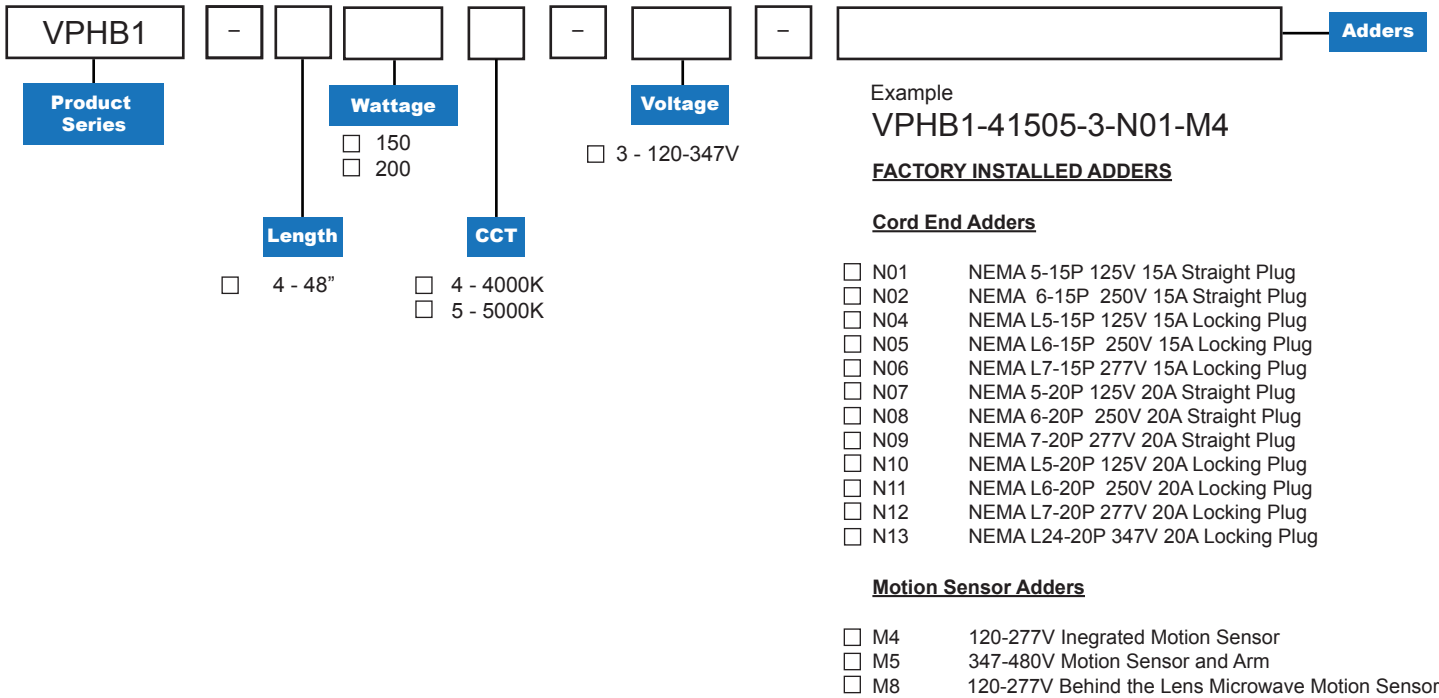
Power	150W	Current Draw at 120V <sub>AC</sub> (A) <sub>2</sub>	1.3A
Apparent Power (VA)	161VA	Current Draw at 208V <sub>AC</sub> (A) <sub>2</sub>	0.77A
System Wattage (W)	149.6W	Current Draw at 240V <sub>AC</sub> (A) <sub>2</sub>	0.66A
Input Voltage	120-347V	Current Draw at 277V <sub>AC</sub> (A) <sub>2</sub>	0.6A
Replacement For	4/6 lamp 32W T8 Vapor Proof High Bay	Current Draw at 347V <sub>AC</sub> (A) <sub>2</sub>	0.5A
Output Voltage (VDC)	30-47VDC		

### PRODUCT DIMENSION





## PRODUCT KEY



1. Due to the special conditions of manufacturing, the typical data of optical specifications can only reflect statistical figures and do not necessarily correspond to the actual parameters of each single product which could differ from the typical data.  
 2. Exceeding maximum ratings for input voltage and current will cause hazardous overload and will likely destroy the LED fixture.  
 3. Refer to Warranty Terms & Conditions available at [premiseled.com/warranty](http://premiseled.com/warranty)