

ALR401

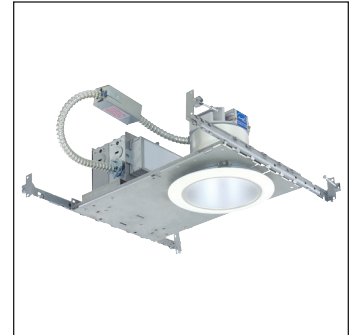
4" LED Flat Frame Recessed Luminaire, NON-IC Recessed Lighting



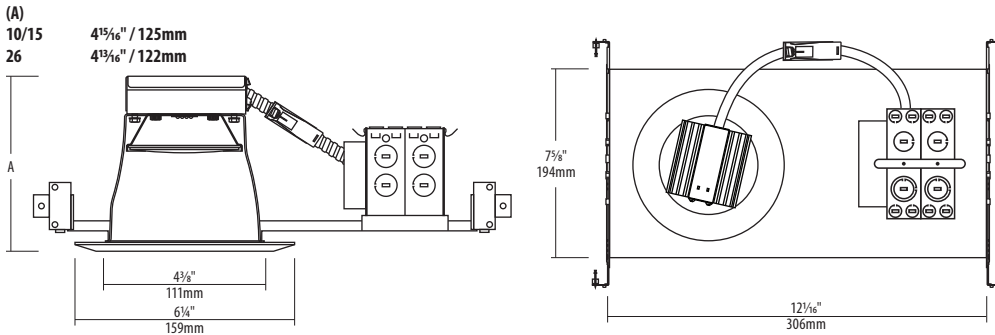
Job Information	
Project Name	
Type	
Location	
Quantity	
Date	

Description

This fixture is a 4" LED luminaire with flat frame, combining high power LED with dimmable driver and a high grade aluminum reflector. The luminaire reduces operating costs and provides maintenance-free operation.




Technical Drawings



SPECIFICATION	
Aperture	4"
Application	Recessed
Approved Location	Damp
Certification	cETLus
CRI	85
Dimming	YES
Lumen per watt	Typical 85
Lumen Maintenance	70% @ 50,000 hrs
Power Factor	>0.9
Power Supply Type	Constant Current
THD	<20%

Ordering Guide

Source Light Output ¹	Color Temp.	Beam Angle	Reflector Finish	Trim Ring Finish	Lens Options	Driver Options
ALR401 - <input type="text"/>	<input type="text"/>	<input type="text"/>	<input type="text"/>	<input type="text"/>	<input type="text"/>	<input type="text"/>
 10 : 1100 lm (13W) 15 : 1350 lm (16W) 26 : 1900 lm (22W)	27 : 2700 K 30 : 3000 K 35 : 3500 K 40 : 4000 K 65 : 6500 K	W : Wide (67°) Z : Wall Wash Kick-Plate ²	HC : Semi-specular WH : White HB : Semi-specular with Black Baffle HW : Semi-specular with White Baffle WB : White with Black Baffle WW : White with White Baffle	WH : White WP : White Plastic BK : Black CH : Chrome MN : Matte Nickel SN : Satin Nickel UN : Natural Steel	Blank : No Lens A : Albalite Lens ³ F : Fresnal Lens ³ S : All Sanded Lens ³	Blank : Standard 120V Input (TRIAC/ELV/0-10V) 2 : 277V Input, 0-10V dimming 3E : 347V Input, rated -40°C, 0-10V dimming B1 : Rated -40°C, 120V Input, 0-10V dimming B2 : Rated -40°C, 277V Input, 0-10V dimming L1 : Lutron EcoSystem, 120V Input L2 : Lutron EcoSystem, 277V Input E1 : Emergency Backup, 120V Input E2 : Emergency Backup, 277V Input Q1 : Casambi enabled driver, 120V Input Q2 : Casambi enabled driver, 277V Input CUST : Custom

Notes:
¹ Delivered lumens provided are based on 3000 K with wide reflector. ² Semi-specular (HC) only, cannot be combined with lens. ³ Requires baffle.
 Quick Ship option is available on orders of 75 pieces or less, and will ship within 5 business days. Options must be selected from Quick Ship section to qualify.
 For additional options please consult your A-Line representative. All trademarks are the property of their respective owners. Lutron and EcoSystem are trademarks of Lutron Electronics Co., Inc. Casambi is a trademark of Casambi Technologies.
 Due to our continued efforts to improve our products, product specifications are subject to change without notice.

Features

Mounting Frame

Constructed of 22ga galvanized steel for optimum rigidity. Accommodates up to 5/8" (16mm) ceiling thicknesses. Reflector firmly held in place with dimpled spring clips. Hanger bars installed on short side.

Junction Box

Listed for through branch circuit wiring. Maximum of eight no. 12 AWG 90°C branch-circuit connections (four in and four out). Ten 1/2" knockouts with true pry-out slots and eight knockouts with Romex® cable clamp. Ground wire is provided on J-Box. Block connectors provided for 0-10V wiring.

Hanger Bars

Rigid hanger bars extend up to 25" (635mm). Score lines on the hanger bars allow for tool-less shortening down to 12" (305mm). Built-in line-up foot allows

for accurate housing height during installation. Integrated T-bar clips easily snap onto T-bars.

System Protection

Integral thermal protection provided to avoid overheating or improper installations. Mounted to the junction box and will disconnect if insulation is detected. Insulation must maintain 3" (76mm) clearance from top or sides.

Quick Disconnect

Included to allow for easy installation of the LED engine and reflector.

LED Optics

Integrated soft lens provides visual comfort. Optional lenses are available with an included baffle.

Reflector

Constructed of spun aluminum, the

reflector provides precision distribution of light with low glare.

LED Characteristics

Fixed CCT high power CREE® LED chips maintain uniform intensity with a typical 85 CRI.

Dimming

Multiple dimming options are available. 100-10% dimming with TRIAC/ELV and down to 1% with 0-10V compatible devices. Consult factory for compatible dimmers.

Thermal Performance

Extruded aluminum heat sink ensures optimal heat dissipation and LED life.

LED Driver

Junction box mounted for ease of maintenance, the LED driver features a power factor larger than 0.9, and THD of

less than 20%. See LED Driver Options for more specific details.

Environment

Suitable for use in damp locations.

Warranty

7-year warranty

LED Driver Options

Standard : TRIAC/ELV dimming for 120V only. Dimming to 1% over 0-10V.

(3E) 347V : Dimming to 1% over 0-10V.

(B) Rated -40 : Low temperature driver operation. Dimming to 1% over 0-10V.

(L) Lutron EcoSystem : Suitable for integration into a planned or existing EcoSystem® lighting control solution. Dimming down to 1% with compatible controls. 40W max.

(E) Emergency Backup : Integrated emergency battery with switchable output of 5W for 180 minutes, or 10W for 90 minutes of operation during an outage. 40W max.

(Q) Casambi Enabled : Casambi wireless module included. Wireless dimming to 1% provided over 0-10V signal from module.

(CUST) Custom : Custom options may be available upon factory request.

Photometry

CCT Correction Factors :

Baseline lumens = 3000 K

Multiply 3000 K lumen values by:

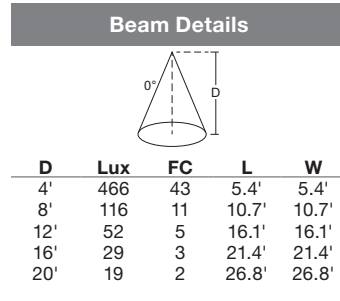
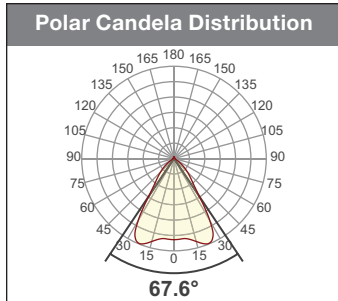
0.95 for 2700 K

1.10 for 3500 K

1.15 for 4000 K

1.20 for 6500 K

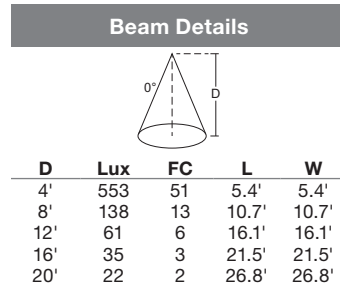
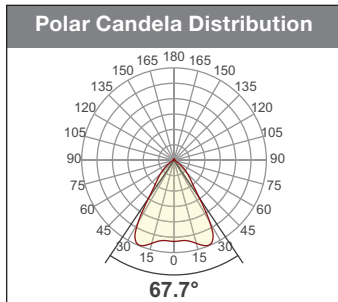
ALR401-1030W : 4" QUICKCHANGE LED WITH FLAT FRAME, WIDE BEAM SPREAD, 3000 K, 13W



Zonal Lumen Summary

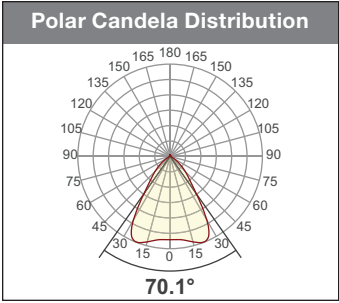
Zone	Lumens	% Luminaire
0-30	616.3	56%
0-40	846.0	76.9%
0-60	1,029.2	93.6%
60-90	31.3	2.8%
70-100	18.0	1.6%
90-120	14.5	1.3%
0-90	1,060.4	96.4%
90-180	39.7	3.6%
0-180	1,100.1	100%

ALR401-1530W : 4" QUICKCHANGE LED WITH FLAT FRAME, WIDE BEAM SPREAD, 3000 K, 16W



Zonal Lumen Summary

Zone	Lumens	% Luminaire
0-30	732.4	56%
0-40	1,005.6	77%
0-60	1,223.1	93.6%
60-90	36.3	2.8%
70-100	20.7	1.6%
90-120	17.4	1.3%
0-90	1,259.3	96.4%
90-180	47.5	3.6%
0-180	1,306.8	100%



Beam Details

D	Lux	FC	L	W
4'	771	72	5.6'	5.6'
8'	193	18	11.2'	11.2'
12'	86	8	16.8'	16.8'
16'	48	4	22.5'	22.5'
20'	31	3	28.1'	28.1'

Zonal Lumen Summary

Zone	Lumens	% Luminaire
0-30	1,007.3	54.1%
0-40	1,417.5	76.2%
0-60	1,750.6	94.1%
60-90	51.4	2.8%
70-100	25.7	1.4%
90-120	19.8	1.1%
0-90	1,801.9	96.9%
90-180	58.4	3.1%
0-180	1,860.3	100%