

**Important Safeguards:**

When using electrical equipment, basic safety precautions should always be followed including the following:

Read and follow all safety instructions

1. **Danger** - Risk of shock - Disconnect power before installation
2. **Product must be installed in accordance with CEC or your local electrical code.** If you are not familiar with these codes and requirements, consult a qualified electrician.

SAVE THESE INSTRUCTIONS FOR FUTURE REFERENCE



Notes:

- Available luminaire lengths are 2x2, 2x4, 1x4, and 20x60.

**Installation Instructions:**

Figure 1.

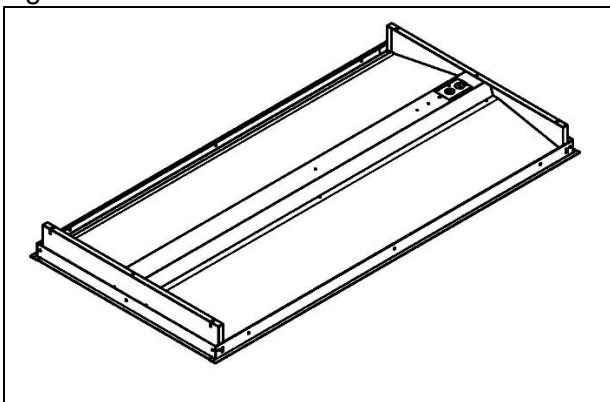
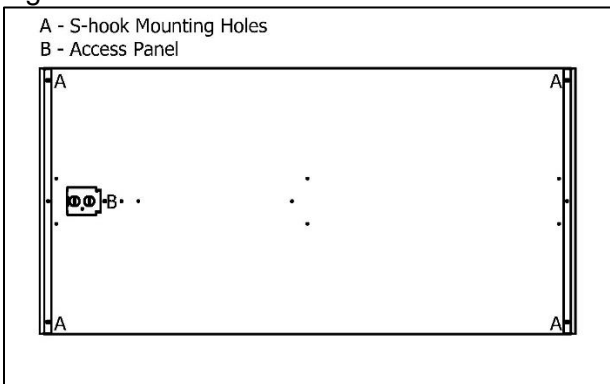


Figure 2.



**Luminaire Installation:**

**Recessed Mounting**

Step 1:

Carefully remove the luminaire from the packaging and inspect for defects before installing.

Step 2:

Orient the luminaire securely in the T-bar ceiling grid. **(See Figure 1)**

**Step 3: Mounting & Wiring**

If needed use the four S-hook mounting holes on the fixture for added security. Remove the access panel and remove a knockout for AC line input. Install listed electrical fittings in the knockout hole and connect the wiring. **(See Figure 2)**

**Note:** For wiring instructions please see **Electrical Connections** on page 2.

Step 4:

Reattach the access panel.

Figure 3.

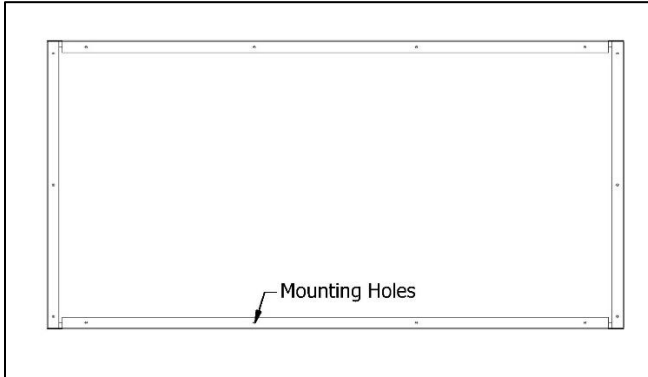
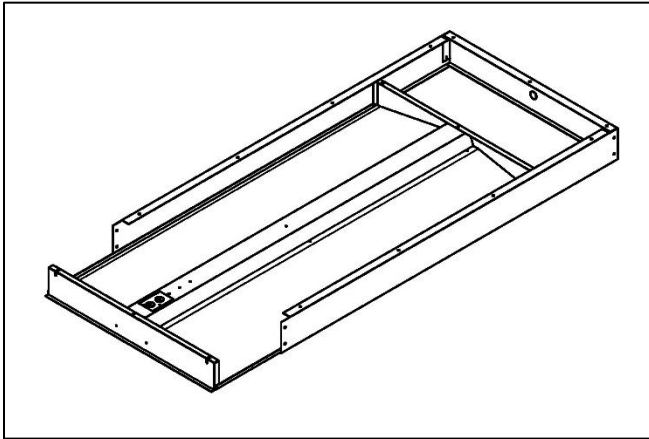


Figure. 4



## Surface Mounting

### Step 1:

Carefully remove the luminaire and surface mount kit from the packaging and inspect for defects before installing.

### Step 2:

Install three sides of the surface mount kit centered over a junction box using the mounting holes. **(See Figure 3)**

### Step 3:

Slide the fixture part way into the surface mount kit. **(See Figure 4)**

### Step 4: **Wiring**

Remove the access panel and remove a knockout for AC line input. Install listed electrical fittings in the knockout hole and connect the wiring. **(See Figure 2)**

**Note:** For wiring instructions please see **Electrical Connections** on page 3.

### Step 4:

Slide the fixture the rest of the way into the surface mount kit and install the last piece of the surface mount kit.

## Electrical Connections:

---

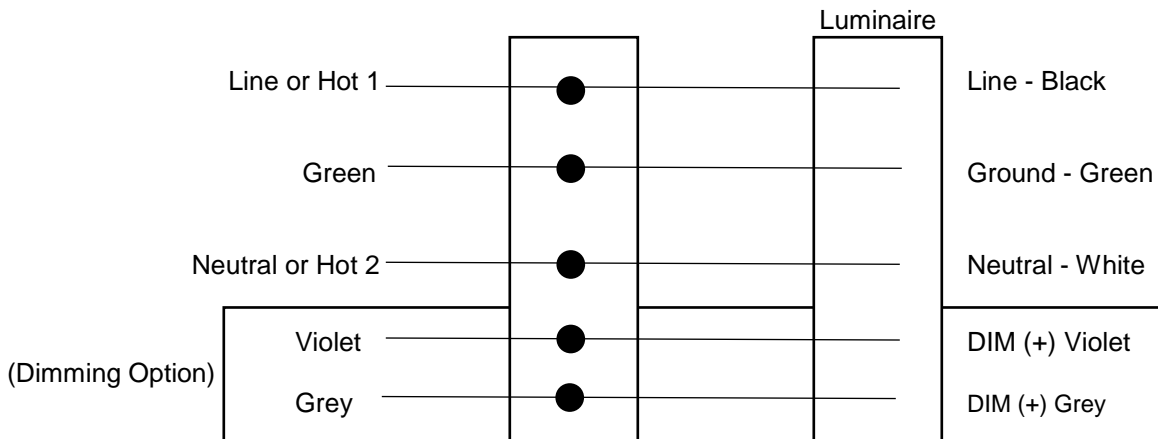
Make the following Electrical Connections:

**For 120-277V / 347V Applications** make the following Electrical Connections:

- Connect the black luminaire lead to the line supply lead
- Connect the white luminaire lead to the neutral supply lead
- Connect the green or green and yellow ground lead to the supply ground lead

Dimming Option:

- Connect the violet dimming positive lead to the supply dimming positive lead
- Connect the grey dimming negative lead to the supply dimming negative lead



**For 16/4** both circuits must be connected to the same branch circuit, i.e. turning off the branch circuit protection will turn off both circuits of the luminaire.

## Electrical Disconnect Instructions:

---

The above electrical connections for the line 1 and neutral are made using the electrical disconnect that is connected to the LED driver. The connections are made as follows below, note that the disconnect is color coded for circuit wiring.

- Black to Live
- White to Neutral

The intended wire sizes are as follows, with an 11-13 mm jacking length.

- 2 x AWG 18-12 **solid wire** per pole
- 2 x AWG 16-12  $\leq$ 19 **stranded wire** per pole

If a wire is connected incorrectly the only way to remove the wire is by twisting the electrical disconnect and pulling firmly on the incorrect wire.