

S4R-M3

Sigma 4 3-Light Linear Tilting Gimbal LED Fixture Recessed Lighting

| Job Information | | |
|-----------------|--|------|
| Project Name | | Type |
| Location | | |
| Quantity | | Date |
| Contact/Phone | | |
| Notes | | |

Features

Reflector

Multi-faceted reflector available in spot (20°), medium (35°) or flood (60°) beam angle.

LED Characteristics

Available with high powered BRIDGELUX® LED chip that maintains uniform intensity with a luminous flux of 2800 when used with 1000mA LED driver, or 2000 when used with 800mA LED driver; with a typical 90 CRI and a 50,000 hour life span. Available in 2700 K, 3000 K, 3500 K or 4000 K correlated colour temperature.

Dimming

This fixture is dimmable when used with a TRIAC or 0-10V dimmer (see page 2 for compatible dimmers).

Heat Sink

Cylindrical heat sink constructed of extruded aluminum designed to facilitate heat dissipation and reduce LED junction temperature.

LED Driver

The LED driver is remote mounted from the LED module, to allow for a lower operating temperature of the LED,

longer life and serviceable separate from the LED module. Featuring a power factor greater than 0.9, and THD of less than 20%, the LED module is available in 1000mA or 800mA with Class 2 LED driver; available in 120V, 277V or 347V.

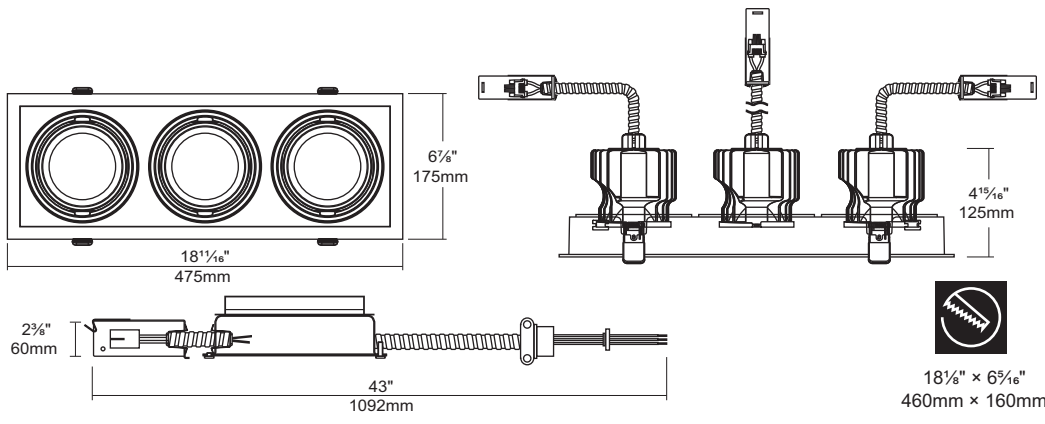
Operating Temperature

-20°C~50°C (-4°F~122°F).

Listing

• cETLus listed for damp locations.

| FIXTURE SPECIFICATIONS | |
|------------------------|---|
| Aperture | 3 ⁹ / ₁₆ " |
| Application | Recessed |
| Approved Location | Damp |
| CCT | 2700 K / 3000 K / 3500 K / 4000 K |
| Certification | cETLus |
| Colour | BK / WH |
| CRI | 90 |
| Cuthole | 18 ¹ / ₈ " × 6 ⁵ / ₁₆ " |
| Dimming | Yes |
| Dimming Tech | TRIAC / 0-10V |
| Lamp Type | LED Engine |
| LM79 | Yes |
| LM80 | Yes |
| Lumens | 2800 / 2000 |
| Power Factor | >0.9 |
| Power Supply Type | Constant Current |
| Primary Voltage | 120V / 277V / 347V |
| Lumen Maintenance | 70% @ 50,000 Hrs |
| Warranty | 5 Years |
| THD | <20% |



Description

The Sigma 4 LED fixture provides for a small profile installation, allowing for installation in small spaces in various applications. The retrofit design of this fixture makes for easy installation. A low operational cost and maintenance-free alternative to incandescent or CFL downlights.



Notes: For additional options please consult your A-Line representative. Due to our continued efforts to improve our products, product specifications are subject to change without notice.

Ordering Guide

| Colour Temp. | Beam Angle | LED Engine | Driver | Trim Colour | Accessory |
|--|---|--|----------------------------------|--------------------------|--|
| S4R-M3 | | | | | |
| 27 : 2700 K 30 : 3000 K 35 : 3500 K 40 : 4000 K | S : Spot (20°) M : Medium (35°) F : Flood (60°) | 1000 : 1000mA – 39W, 2800 lm, non-IC 800 : 800mA – 30W, 2000 lm, non-IC | 1 : 120V 2 : 277V 3 : 347V | BK : Black WH : White | 1 : Honeycomb Louver 2 : Solite Lens 3 : Linear Clear Lens |

* Not for use in insulated ceilings.

Compatible Phase-Cut Dimmers – 120V

| Brand | Model | Brand | Model |
|--------|------------|------------|-----------|
| Lutron | S-603PG | Leviton | IPI06-1IZ |
| | DVCL-153P | | 6631-2 |
| | DV-600P | | VPE06 |
| | TGCL-153P | | 6683-IW |
| | S-600P | | 6161 |
| | DVELV-303P | | 6633-P |
| | SELV-300P | | IPE04 |
| | TG-600P | DLC03P | |
| | LG-600P | SLC03P | |
| | CT-103P | DAL06P | |
| | MAELV-600 | Lightolier | ZP260QEW |
| | FAELV-500 | | |

Compatible 0-10V Dimmers

- Lutron, Nova series (NTFV)
- Lutron, Diva series (DVTV)
- Leviton, IllumaTech series (IP710-DL)