

# Product Specifications

**SOLAR STREET LIGHT**  
**Powered by ZeroSUN™ Solar Controller**

**20W-40W-50W**  
**5 YEAR Warranty**



**Model: HS Series 20/40/50W**

**130LPW**

**50,000 hrs**

Designed for **STREETS** and **AREA LIGHTING** applications

## Overview

Luminous efficacy >130LPW  
High efficiency thermal management  
LED: Lumileds 3030  
MC4 connector and Cable, 2m long (STANDARD)  
Light with Slip Fitter or Trunnion Brackets  
Integral Battery and Controller  
Batteries kept warm during winter months  
**Operating Temperatures: -28 to +55C**  
Power Factor >0.9

Model	Watts	Lumens
ZA-HS20W12V	20	<b>2600</b>
ZA-HS40W12V	40	<b>5200</b>
ZA-HS50W12V	50	<b>6500</b>

Connectors: MC4 quick connect

## Photometric

CRI Ra>75  
Color 5700K  
Beam Angle: 140/70°

## Measurements/Weight

Luminaire: 6.5x5.6x1.5" / 13.0/14.0/15.0lbs  
PV Panel: 60W/100W/2x60W - 13.0/15.0/2x.14.0 lbs



**MC4 Connector & Cable, 2m long**  
Custom Cable length is available



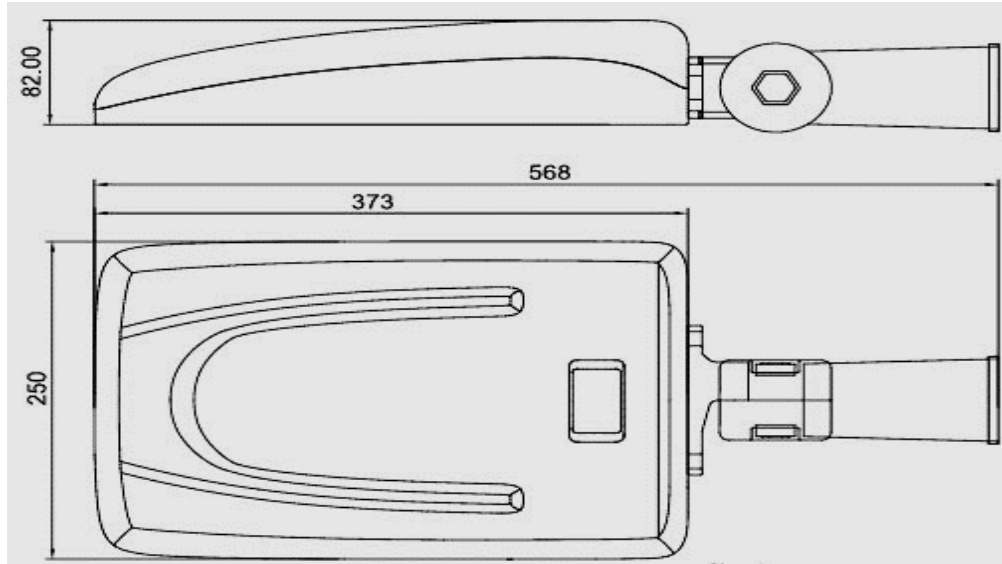
Light housing size: 568\*250\*85mm



# Product Specifications

## DIMENSIONS AND INSTALLATION

**ZA-HS20/40/50W-12V**



Slip Fitter Mount

## SIMPLE INSTALLATION WITH PLUG-AND-PLAY CONNECTOR

- Adjustable pivoting PV panel support
- Adapter for Panel Support and Light uport
- Custom design available
- Supply of Poles is optional

