



PT3 SERIES POLE TOP

INSTALLATION INSTRUCTIONS FOR

PT3-55GS-3
PT3-100GS-3
PT3-150GS-3

WHAT'S IN THE BOX

- PT3 fixture and shorting cap (JL-208)
- Pre-installed 24" power cord, and 0-10V dimming cord
- 2 x hex screws for fixture head (55W/100W)
- 4 x hex screws for fixture head (150W)

WHAT YOU'LL NEED

- Wiring supplies as per national and local electrical codes
- Hex drivers - 5mm & 6mm
- #2 Phillips screwdriver (150W model)

IMPORTANT

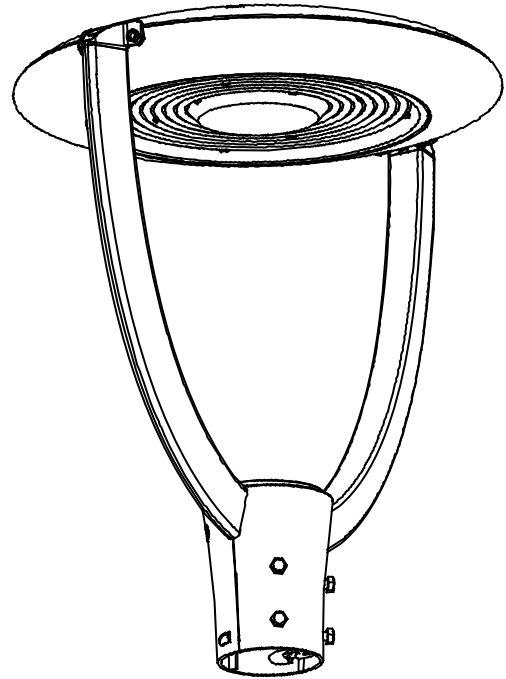
Before installing fixture, read all instructions and retain for future reference. The important instructions and safeguards that appear in this document are not inclusive of all possible conditions and situations that may occur. It must be understood that common sense, caution, and care are factors that cannot be built into a product. These factors must be supplied by those that care and operate the fixture. Consider a qualified licensed electrician for installation.

For additional information required not covered in this document please contact a local representative.

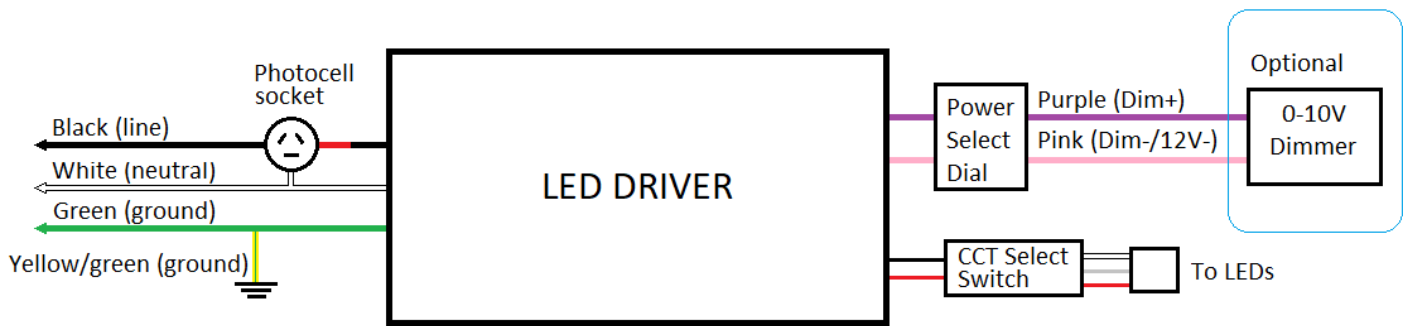


WARNING AND SAFETY

- Risk of electric shock!
- Ensure power is OFF at the electrical panel before starting installation or maintenance
- Verify site supply voltage matches luminaire product label
- Ensure wiring connections are not exposed during operation
- Modifications to the product will void warranty
- Ambient temperature range under normal operation not to exceed
55W/100W: -40°C to 50°C (-40°F to 122°F)
150W: -40°C to 45°C (-40°F to 113°F)
- Minimum 75°C supply conductors
- Wiring to fixture must be in accordance with the National Electrical Code and all applicable local electrical and safety regulations



WIRING SCHEMATIC FOR ALL MODELS



INSTALLATION

1

Remove and retain fixture head screws, and rotate fixture head 90 degrees to position the light downward (Fig. 1).

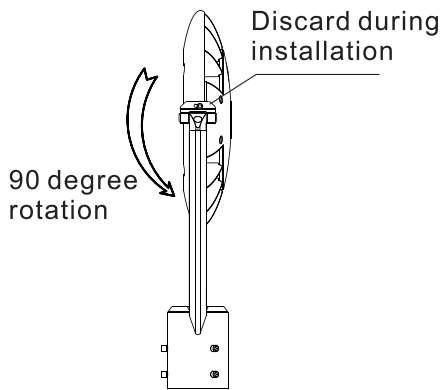


Figure 1

2

Use retained screws from step 1 and provided loose screws to secure the fixture head to the side arms (Fig. 2, Fig. 3).

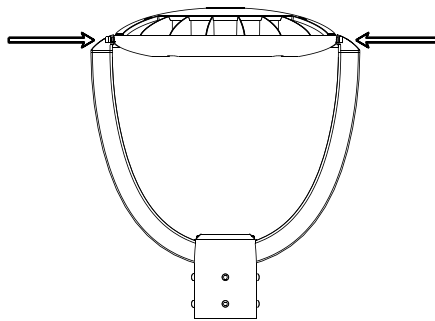


Figure 2

3

Set power output and CCT as desired (see Adjust Color Temperature & Adjust Power).

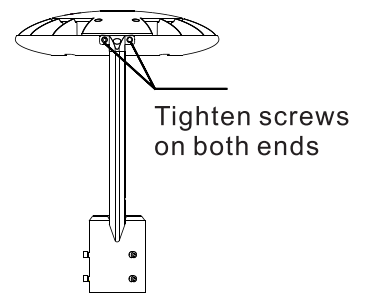


Figure 3

Note: For 55W & 100W models, remove and discard shipment holding clips

INSTALLATION CON'T

4

Twist-lock to install provided shorting cap (**JL-208**) or optional 3-pin photocells (Fig. 4); **JL-207C** (120-277V) or **JL-207F** (120-480V).

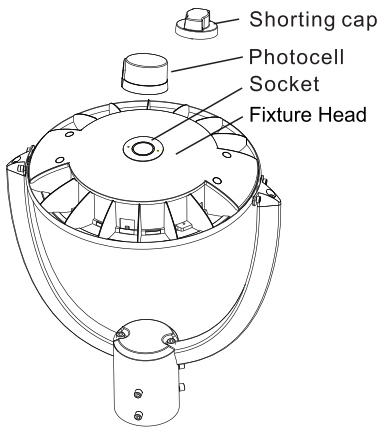


Figure 4

5

Complete connections as per wiring diagram (Fig. 5).

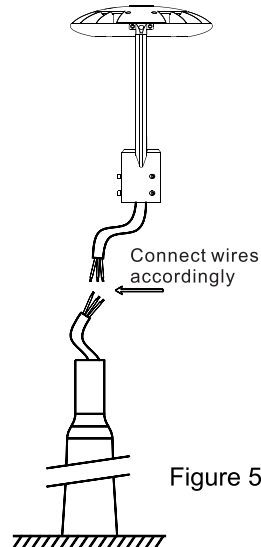


Figure 5

6

Loosen mounting screws to install the fixture on a 2" to 3" pole or tenon and tighten screws to complete installation (Fig. 6).

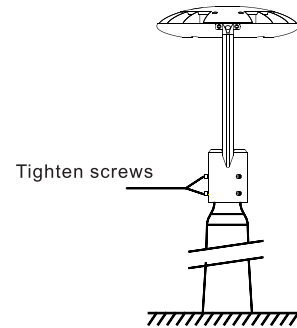


Figure 6

Note: Shorting cap or photocell must be installed to complete fixture circuit

ADJUST COLOR TEMPERATURE (CCT)

For 55W or 100W models, press the button on the top of the fixture head to cycle through and select a CCT of either 3000K, 4000K or 5000K (Fig. 7).

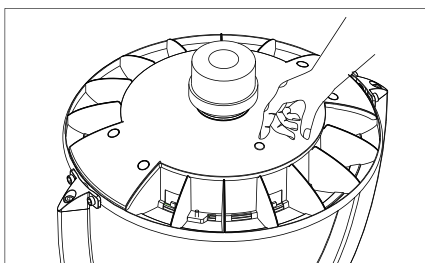


Figure 7

For 150W models, remove and retain screws to open the fixture head top cover plate. Select a CCT of either 3000K, 4000K or 5000K (Fig. 8) and once selected, close cover.

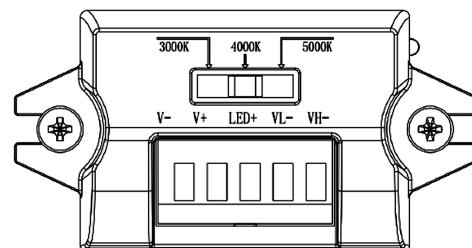
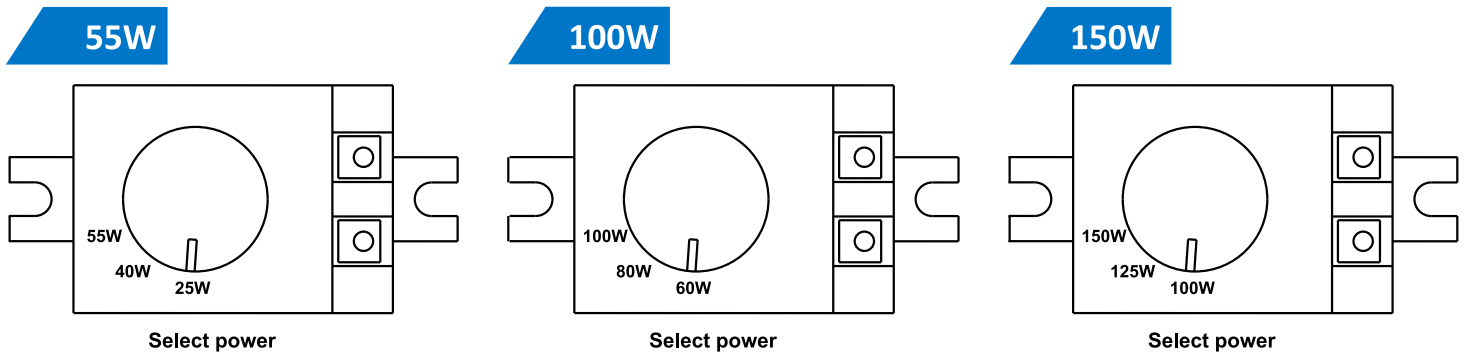


Figure 8

Note: Default setting is 4000K for all models

ADJUST POWER (W)

Remove and retain screws to open the fixture head top cover plate. Adjust power select dial and once selected, close cover and secure with retained screws (Fig. 9).



Note: For 55W & 100W models, remove and retain rubber hole plugs to access fixture head top cover plate screws. Replace plugs after closing and securing the cover.

Note: Default setting is max output for all models