

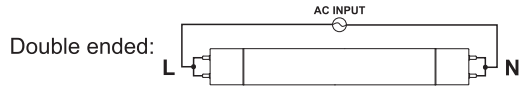
Product Name: **LED T5 Tube Series-25W**

Product Model: **LED25WT5HO/46/835-G8D,LED25WT5HO/46/840-G8D,LED25WT5HO/46/850-G8D**

1. Product Features:

UL Certified

Full glass housing: No Aging, Yellowing, Bending



2. Safety Precautions:

Please completely comply with these instructions and notes to ensure that the product is operated in a safe condition.

- 1) WARNING: Risk of shock. Disconnect power before installation.
- 2) NOT FOR USE IN TOTALLY ENCLOSED LUMINAIRES .

⚠ Safety Precautions :

For your and others'safety,please read the precaution carefully before installation:

- 1). Product should be installed by qualified electrician.
- 2).Switch off the power supply before commencing work, make sure correct connection before power on.
- 3). NOT FOR EMERGENCY LIGHTING.

The units covered by this report were intended to retrofit surface mount , Type IC or non-IC recessed mount Listed fluorescent luminaires that use maximum Six tubular lamps, The minimum lamp compartment dimensions are tabulated below:

Model Number	MINIMUM LAMP COMPARTMENT DIMENSIONS [Length × Width × Height] [cm]	Lamp Quantity
LED25WT5HO/46/835-G8D	117x40x9	6
LED25WT5HO/46/840-G8D		
LED25WT5HO/46/850-G8D		

3.WARNING

WARNING - Risk of fire or electric shock. LED Retrofit Kit installation requires knowledge of luminaires electrical systems. If not qualified, do not attempt installation. Contact a qualified electrician.

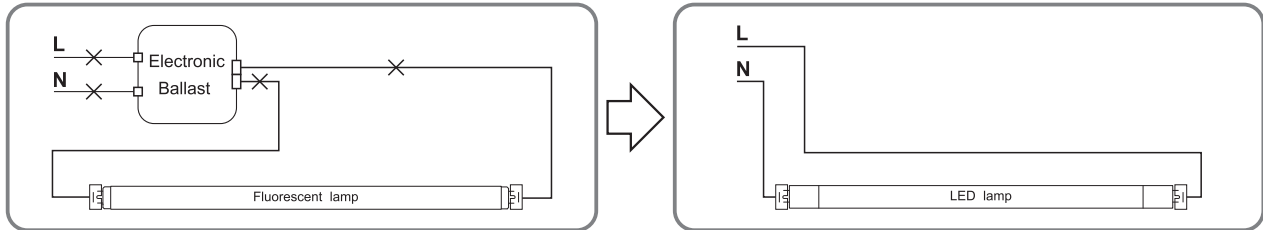
WARNING - Risk of fire or electric shock. Install this kit only in luminaires that have the construction features and dimensions shown in the photographs and/or drawings and where the input rating of the retrofit kit does not exceed the input rating of the luminaire.

⚠ The below ballast wiring represents typical configuration.
 The actual ballast wiring varies according to ballast model. It is not needed to change socket (if in good condition) to operate double ended lamps, regardless the type of sockets. Please make sure one side of fixture is connected to Live (L) and the other side to Neutral (N).

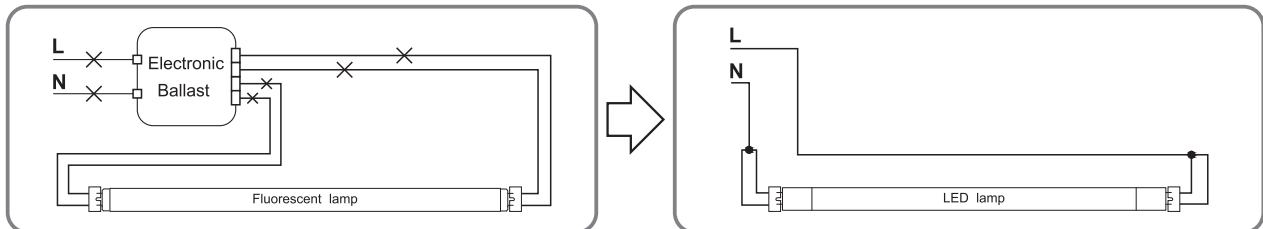
Wiring Instruction

Retrofit luminaire with 1 lamp

Instant Start

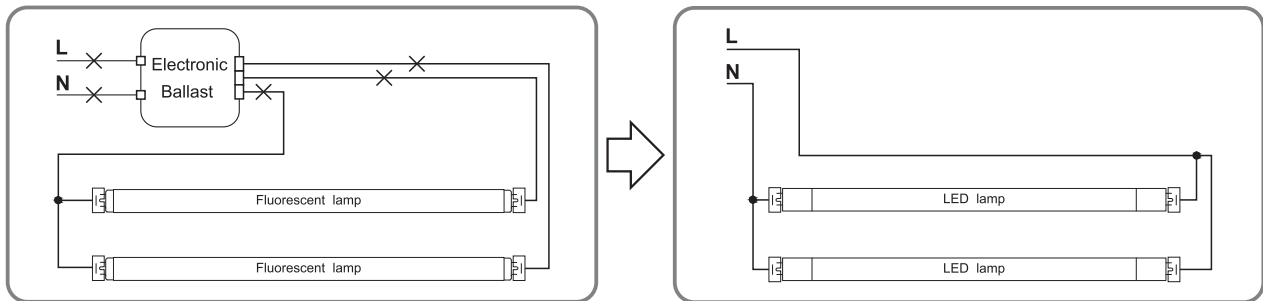


Program Start or Rapid Start

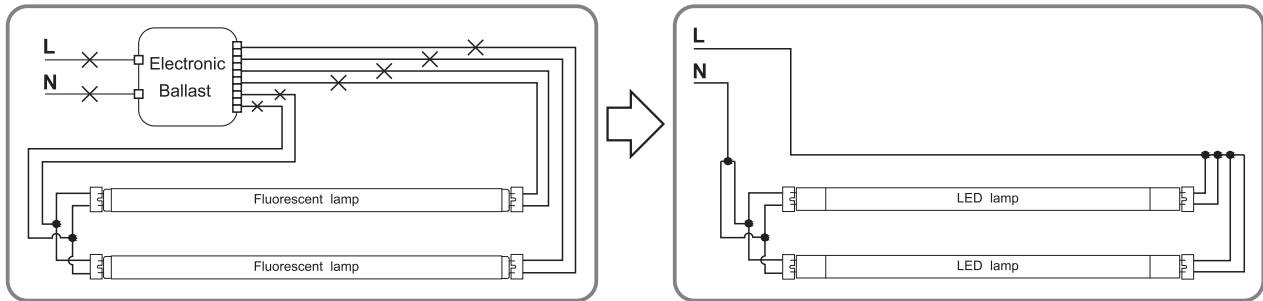


Retrofit luminaire with 2 lamps

Instant start



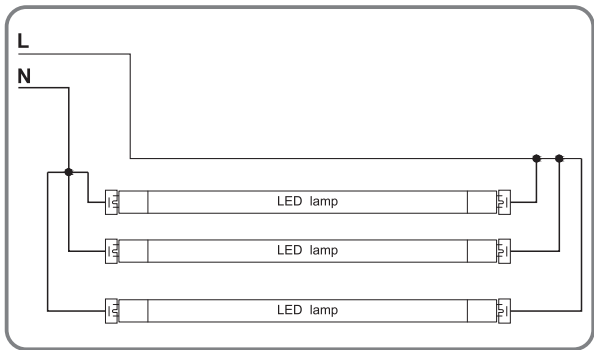
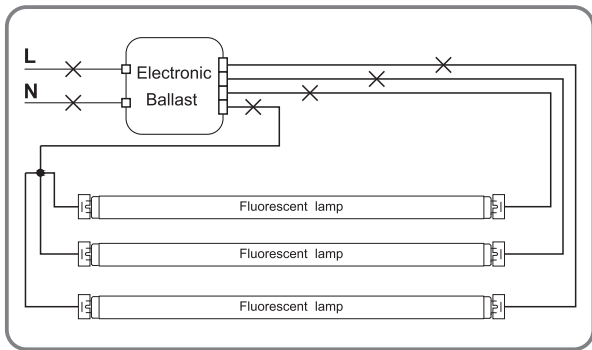
Program Start or Rapid Start



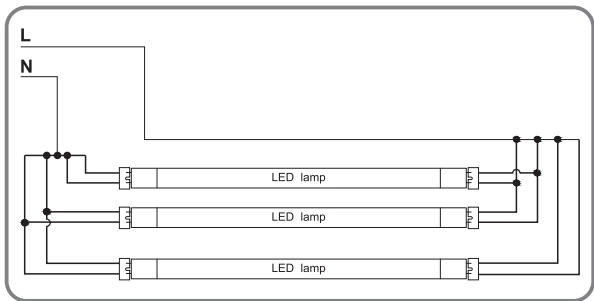
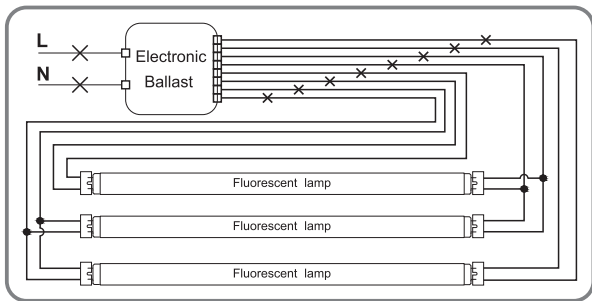
Wiring Instruction

Retrofit luminaire with 3 lamps

Instant start

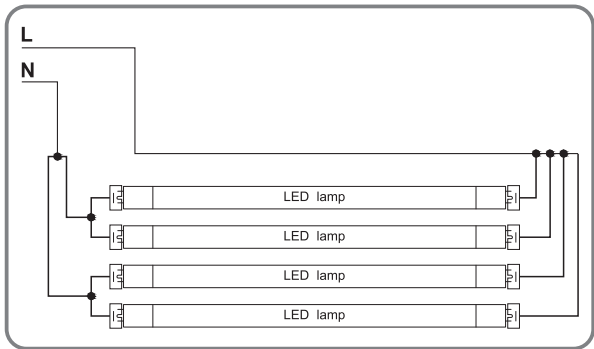
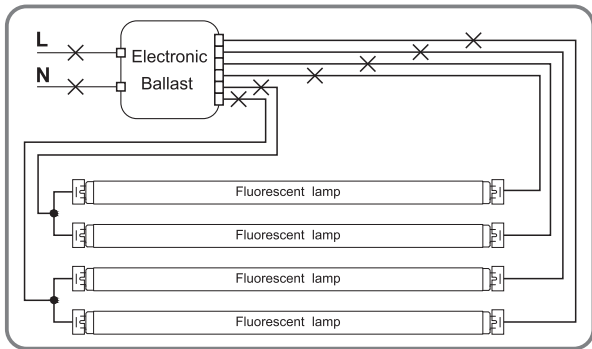


Program Start or Rapid Start

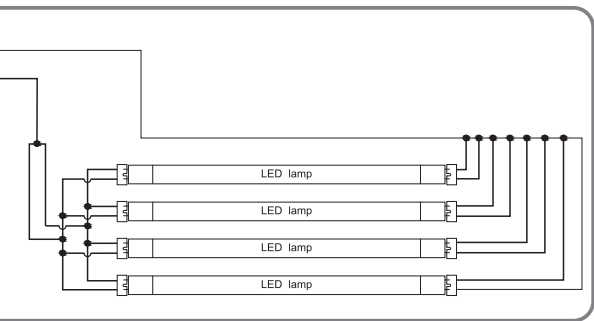
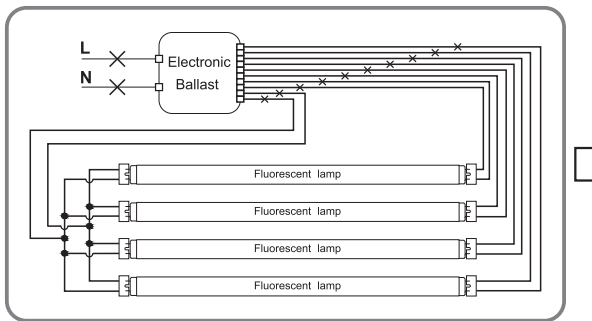


Retrofit luminaire with 4 lamps

Instant start



Program Start or Rapid Start



WARNING - To prevent wiring damage or abrasion, do not expose wiring to edges of sheet metal or other sharp objects.

WARNING: To avoid potential fire or shock hazard, do not use this retrofit kit in luminaires employing shunted bi-pin lampholders. Note: Shunted lamp holders are found only in fluorescent luminaires with Instant-Start ballasts. Instant-start ballasts can be identified by the words "Instant Start" or "I.S." marked on the ballast. This designation may be in the form of a statement pertaining to the ballast itself, or may be combined with the marking for the lamps with which the ballast is intended to be used, for example F40T12/IS. For more information, contact the LED luminaire retrofit kit manufacturer.

WARNING: To avoid potential fire or shock hazard, do not use this retrofit kit in luminaires employing shunted bi-pin lampholders. Note: Shunted lamp holders are found only in fluorescent luminaires with Instant-Start ballasts. Instant-start ballasts can be identified by the words "Instant Start" or "I.S." marked on the ballast. This designation may be in the form of a statement pertaining to the ballast itself, or may be combined with the marking for the lamps with which the ballast is intended to be used, for example F40T12/IS. For more information, contact the LED luminaire retrofit kit manufacturer.

Do not make or alter any open holes in an enclosure of wiring or electrical components during kit installation.

Installers should not disconnect existing wires from lampholder terminals to make new connections at lampholder terminals. Instead installers should cut existing lampholder leads away from the lampholder and make new electrical connections to lampholder lead wires by employing applicable connectors

THE RETROFIT KIT IS ACCEPTED AS A COMPONENT OF A LUMINAIRE WHERE THE SUITABILITY OF THE COMBINATION SHALL BE DETERMINED BY AUTHORITIES HAVING JURISDICTION.

THERE ARE LED TUBE, OPERATION INSTRUCTION AND FIELD APPLIED LABEL IN THIS RETROFIT KIT.

This device complies with Part 15 of the FCC Rules. Operation is subject to the following two conditions: (1) this device may not cause harmful interference, and (2) this device must accept any interference received, including interference that may cause undesired operation.

watch > like > follow



selection. solutions. simplicity. eiko.com

23220 W. 84th St, Shawnee, KS 66227 · (P) 1.800.852.2217 (F) 1.800.492.8975
Canada: 81 King St, Barrie, ON L4N 6B5 · (P) 1.888.410.8151 (F) 1.888.705.1335