



	Motion Sensor Controls with Light Mode Selector Switch – Batteries Rated @ -40C		
Model	UE-SFMLT-20WPB - 2800Lm	Pole Structural Rating EPA: 1.20 ft ²	
	UE-SFMLT-40WPB - 5600Lm	Pole Structural Rating EPA: 1.80 ft ²	
	UE-SFMLT-100WPB – 14000Lm	Pole Structural Rating EPA: 3.55 ft ²	
Usage	<i>Designed for street and area lighting and efficient way to light up a dark area such as parking lots, pathways, backyards, campsites, etc.</i>		
Product Overview	UE-SFMLT-20WPB	UE-SFMLT-40WPB	UE-SFMLT-100WPB
	Solar Panel: 15V, 18 W	Solar Panel: 15V, 32W	Solar Panel: 15V, 86W
	Lifespan: 25 years	Lifespan: 25 years	Lifespan: 26 years
	Battery: Li-FePO4 12.8V, 13.6AH-147WH external and replaceable (in protective cover)	Battery: Li-FePO4 12.8V, 27.2AH-348WH external and replaceable (in protective cover)	Battery: Li-FePO4 12.8V, 61.2AH-783WH external and replaceable (in protective cover)
	Charge Time: 4-5hrs	Charge Time: 4-5hrs	Charge Time: 4-5hrs
	Total Operating Time: 25-30hrs in the summer, and 20-22hrs in the winter	Total Operating Time: 25-30hrs in the summer, and 20-22hrs in the winter	Total Operating Time: 25-30hrs in the summer, and 20-22hrs in the winter
	Working Temperature: -40C to 55C	Working Temp: -40C to 55C	Working Temp: -40C to 55C
	Beam Angle: 135°	Beam Angle: 135°	Beam Angle: 135°
	Controls: 2 light mode options, light sensor and PIR sensor	Controls: 2 light mode options, light sensor and PIR sensor	Controls: 2 light mode options, light sensor and PIR sensor
	Measurements: 589 L x 306W x 266D mm	Measurements: 860 L x 306W x 266D mm	Measurements: 1360L x 360W x 266D mm
Weight: 18.7lbs / 8.5kgs	Weight: 22lbs / 10kgs	Weight: 35lbs / 15kgs	
Light Mode Selection	<p><u>Push button location: at the bottom of the light between the PIR sensor and the mounting bracket</u></p> <p>6000 Kelvins – cool white</p> <p>Green Mode: 100% light for 3hrs, then 25% until dawn. Motion is detected, turns into 100% brightness for 30 seconds</p> <p>Red Mode: 25% continuous light. Motion is detected, turns into 100% brightness for 30 seconds.</p>		

Solar Flood Lights 20/40/100W-SFMLT



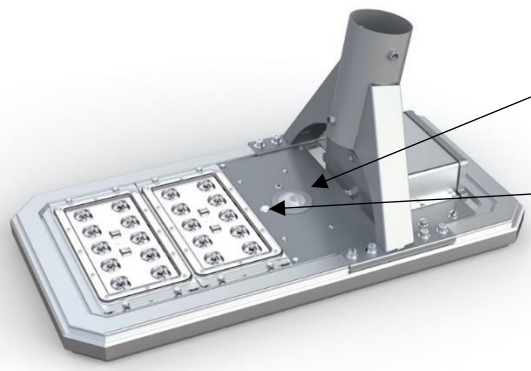
Installation	<p>Pole diameter: <i>UE-SFMLT-20W-PB</i> and <i>UE-SFMLT-40W-PB</i> is 2 ½” SCH40 pipe. <i>UE-SFMLT-100W-PB</i> is 4” SCH 40 pipe, with a 2.5” tenon.</p> <p>Pole Height: <i>UE-SFMLT-20-PB</i>: <u>10-12ft</u>; <i>UE-SFMLT-40-PB</i>: <u>15ft</u>; <i>UE-SFMLT-100WPB</i>: <u>20ft</u></p> <p>Wall/Fence mount bracket is optional Supply of pole is optional</p>
---------------------	---

Warranty	3yrs
-----------------	------

External Battery Pack for easy replacement with plug-in connectors. Working temperatures: -40C to +55C

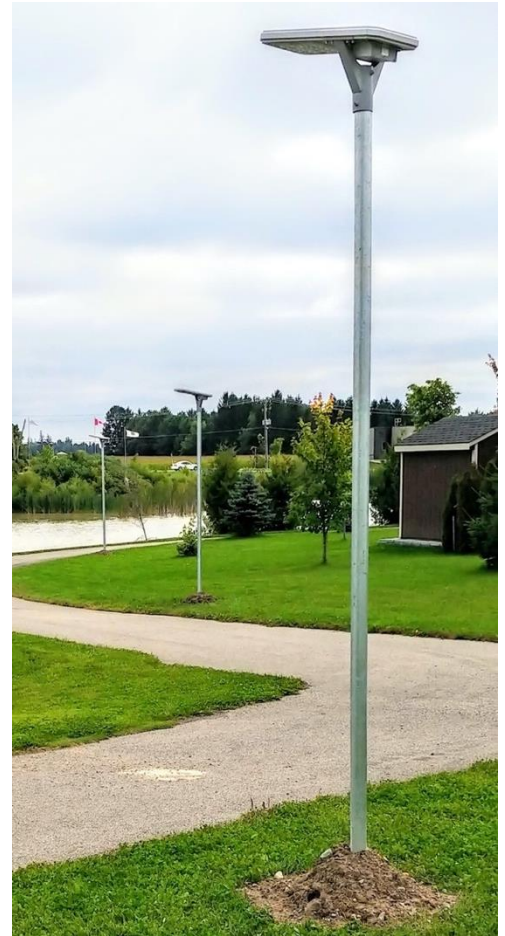


*Sleeve ID 2.9”
Tenon: 6” lg*

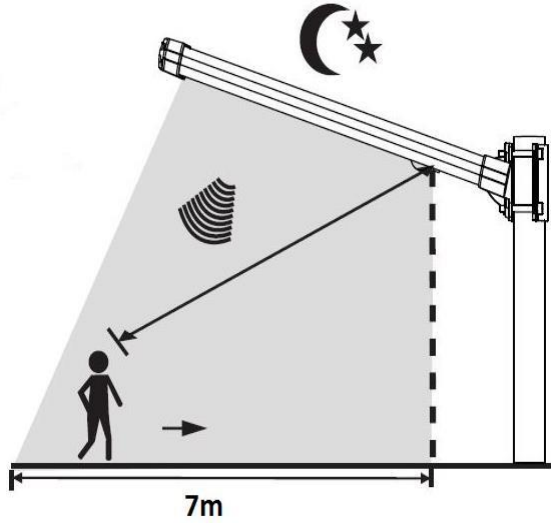


PIR Motion Sensor

Light Mode Selector SW



UPPLANDS Energy Inc., 57-10 Esterbrooke Ave., Toronto, Ontario, Canada M2J-2C2
info@upplandsenergy.com 416-409-1948 www.upplandsenergy.com



PIR Motion Sensor:

Sensing Angle: 120°

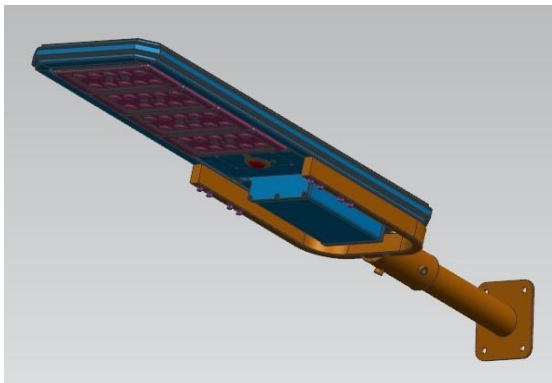
Sensing Distance: 7-8m / 23-26ft

Sensing Delay: 30s

Pole Mount



Wall Mount Bracket



<i>Recommended Pole Installation</i>	<i>Mounting Height</i>	<i>Pole Spacing</i>
<i>UE-SFM-20W- PB:2.5"OD direct burial</i>	3-4m / 10-13ft	15m / 50ft
<i>UE-SFM-40W- PB: Base mount</i>	4-5m / 14-16ft	15-20m / 50-65ft
<i>UE-SFM-100W- PB: Base mount</i>	6-7m / 20-23ft	25-30m / 82-100ft

specify mounting bracket when ordering