



Model #	
Type	
Project	
Date	

VPHB1-SERIES VAPOR PROOF HIGH BAY

The VPHB1-Series Vapor Proof Linear High Bay is a dependable, energy efficient luminaire designed to be used in environments subject to high levels of moisture and dust.



HIGHLIGHTS

- Up to 150 lm/W
- 80+ CRI
- Available in 4000K and 5000K
- Multiple knockouts make installation flexible and easy
- IP66 and NEMA 4x rated
- IK10 rated for protection against impact
- NSF/ANSI 2 certified
- 0-10V dimming
- Designed to work in -40°C /-40°F degree environments
- Backed by a worry-free 10 year warranty
- Fixture-mounted PIR or microwave motion sensors available for increased energy savings. Leviton® PIR motion sensors also available

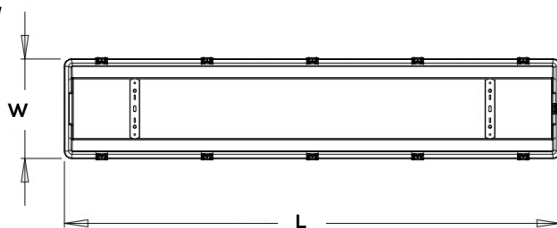


APPLICATIONS

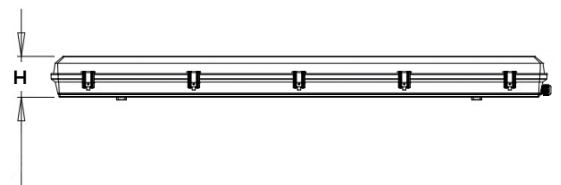
Designed for high levels of moisture and dust applications in commercial, industrial, institutional, and retail spaces.

DIMENSIONS					
VOLTAGE (V)	POWER (W)	L (inches/mm)	W (inches/mm)	H (inches/mm)	WEIGHT (kg/lbs)
120-347V	150	50" (1270mm)	10-3/8" (264mm)	4-1/2" (115mm)	6.3 kg / 13.8 lbs
	200				6.9 kg / 15.1 lbs

Top View



Side View



ORDERING GUIDE

SERIES	LENGTH	POWER (W)	CCT	VOLTAGE / DIMMING
VPHB1	4: 48"	150: 150W 200: 200W	4: 4000K 5: 5000K	3: 120-347V, 0-10V dimming, internal connection

FACTORY-INSTALLED OPTIONS

CUSTOM CORD LENGTH	CORD END	SENSOR
<p>Blank: Default 6' cord</p> <p>W1xx*: 300V 18/3 white cord</p> <p>W2xx*: 600V 18/3 white cord</p> <p style="text-align: center;">Custom length required (in feet)</p> <p>*provide desired cord length in "xx" feet up to 99' max</p>	<p>Blank: Default, no cord end</p> <p>N01: 125V 15A straight plug</p> <p>N02: 250V 15A straight plug</p> <p>N04: 125V 15A locking plug</p> <p>N05: 250V 15A locking plug</p> <p>N06: 277V 15A locking plug</p> <p>N07: 125V 20A straight plug</p> <p>N08: 250V 20A straight plug</p> <p>N09: 277V 20A straight plug</p> <p>N10: 125V 20A locking plug</p> <p>N11: 250V 20A locking plug</p> <p>N12: 277V 20A locking plug</p> <p>N13: 347V 20A locking plug</p>	<p>Blank: Default, no sensor</p> <p>M4: 120-277V Microwave motion sensor</p> <p>M5: 347V Microwave motion sensor</p> <p>M8: 120-277V Behind the Lens Microwave Motion Sensor</p> <p>M50: Leviton®, PIR motion sensor with offset adapter, high mount lens, dimming, 120-347V</p> <p>M51: Leviton®, PIR motion sensor with offset adapter, low mount lens, dimming, 120-347V</p> <p>M52: Leviton®, PIR motion sensor with offset adapter, high mount aisle mask, dimming, 120-347V</p> <p>M53: Leviton®, PIR motion sensor with offset adapter, low mount aisle mask, dimming, 120-347V</p>

MODEL SELECTION

FACTORY-INSTALLED OPTIONS

SERIES	LENGTH	POWER (W)	CCT	VOLTAGE	X / CORD LENGTH	CORD END	SENSOR
VPHB1	4	150	4	3	W201	N01	M5

ACCESSORIES SELECTION

EXAMPLE: VPHB1-41504-3-W201-N01-M5

ORDER	MODEL #	DESCRIPTION
	RC01	Remote for motion sensors (one remote is required if ordering): MS1-DHR-KO-1 (Factory-installed code M4) MS1-DH-KO-4 (Factory-installed code M5)
	RC-100	Remote for motion sensor (one remote required if ordering): (Factory-installed code M8)

PRODUCT FEATURES

CONSTRUCTION

- Polycarbonate gray housing
- Polycarbonate frosted lens
- Stainless steel fastening clips
- Multiple knockouts make installation flexible and easy

INSTALLATION

- Surface mount, Chain mount

ELECTRICAL

- LED drivers have inherent surge protection
- Power Factor >0.9
- THD <20%
- 0-10V dimming
- 12V auxiliary connections

LISTINGS & RATINGS

- DLC Premium
- cETLus
- NEMA 4X
- NSF/ANSI 2 - Food Equipment
- Wet Location
- IP66
- IK10
- Listed for use in -40°C to 40°C / -40°F to 104°F

RATED LIFE & WARRANTY

- LED system: >50,000 hours at L70
- 10 year warranty (visit premiseled.com/warranty/)

ORDERING INFORMATION

INPUT VOLTAGE	CCT (K)	POWER (W)	MODEL NUMBER	DELIVERED LUMENS (lm)	EFFICACY (lm/W)	DLC PREMIUM
120-347V	4K	150W	VPHB1-41504-3	19,848 lm	132 lm/W	PEF9J9QO
		200W	VPHB1-42004-3	30,392 lm	147 lm/W	PT1CAW6T
	5K	150W	VPHB1-41505-3	20,223 lm	133 lm/W	PNFEARSM
		200W	VPHB1-42005-3	31,259 lm	150 lm/W	PZVCSF53

PACKING INFORMATION





MODEL	CASE QUANTITY	PALLET QUANTITY
150W	CASE OF 4	40
200W	CASE OF 4	40

ELECTRICAL INFORMATION



INPUT VOLTAGE	POWER (W)	APPARENT POWER (VA)	SYSTEM POWER (W)	CURRENT DRAW AT 120V _{ac}	CURRENT DRAW AT 208V _{ac}	CURRENT DRAW AT 240V _{ac}	CURRENT DRAW AT 277V _{ac}	CURRENT DRAW AT 347V _{ac}
120-347V	150W	161.0VA	149.6W	1.300A	0.770A	0.660A	0.600A	0.500A
	200W	215.0VA	206.0W	1.850A	1.060A	0.950A	0.850A	0.750A
	150W	161.0VA	151.2W	1.300A	0.770A	0.660A	0.600A	0.500A
	200W	215.0VA	208W	1.850A	1.060A	0.950A	0.850A	0.750A

INPUT VOLTAGE	POWER (W)	INRUSH CURRENT (A)	DRIVER SURGE PROTECTION
120-347V	150W	<30A	L/N-PE: 2.5KV, L-N: 2.5KV
	200W	<60A	L/N-PE: 4KV, L-N: 6KV

SENSOR ACCESSORIES

IMAGE	DESCRIPTION	MODEL NUMBER	FACTORY-INSTALLED CODE
	<p>Microwave Motion Sensor Sensor parameters set by required remote (RC01). Dimming control. Detection from 15 ft up to 48 ft mounting height, 360° pattern. IP65 rated. 120-277V input. Daylight settings available. Order separately or factory install.</p>	MS1-DHR-KO-1	M4
	<p>Microwave Motion Sensor Sensor parameters set by required remote (RC01). Dimming control. Detection from 15 ft up to 48 ft mounting height, 360° pattern. IP65 rated. 347V-480V input. Daylight settings available. Order separately or factory install.</p>	MS1-DHR-KO-4	M5
	<p>Microwave Motion Sensor Sensor parameters set by DIP switch or optional remote (RC-100). Dimming control. Detection from 8ft up to 12ft mounting height, 360° pattern. Behind the lens. 120-277V input. Daylight settings available. Factory installed.</p>	-	M8
	<p>Leviton® PIR Motion Sensor Sensor parameters set by DIP switch, no remote available. Dimming control. IP65 rated. 120-347V Input. Daylight settings available. Order separately or factory install.</p>		
	Offset and high mount lens (45ft indoor, 30ft outdoor)	HBE11-IUB-HO	M50
	Offset and low mount lens (8ft-16ft)	HBE11-IUB-LO	M51
	Offset and high mount lens aisle mask (45ft indoor, 30ft outdoor)	HBE11-IUB-HAO	M52
	Offset and low mount lens aisle mask (8ft-16ft)	HBE11-IUB-LAO	M53

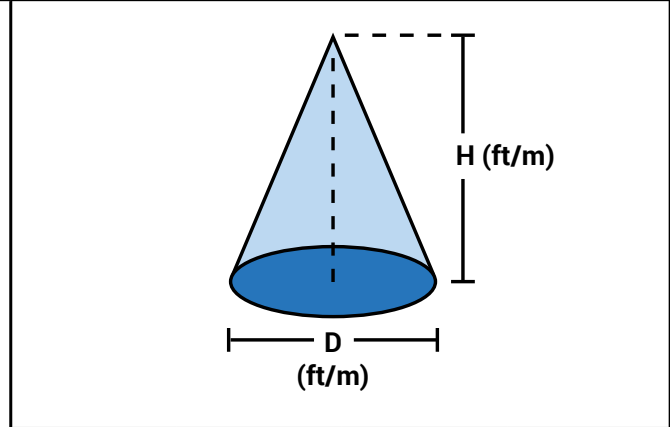
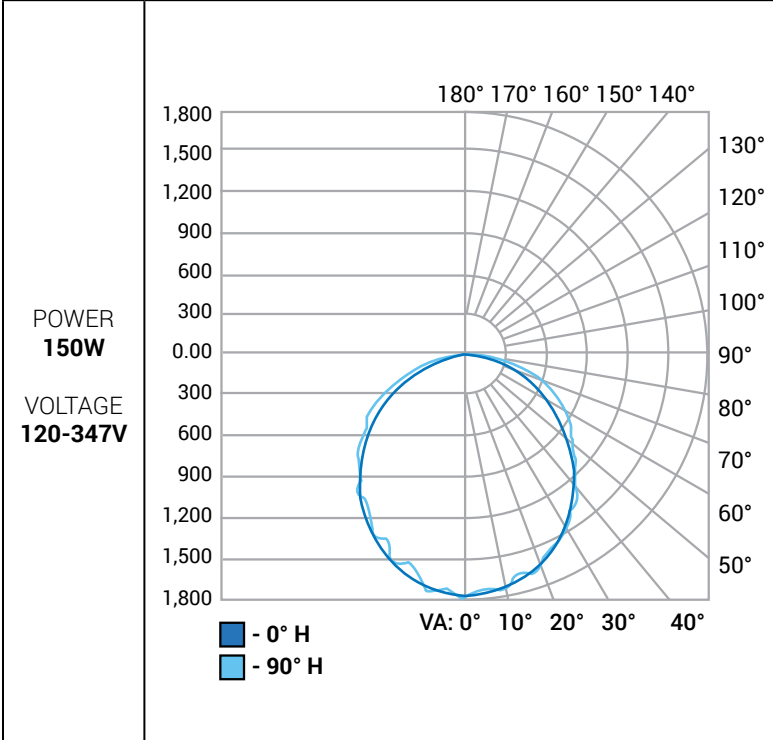
SENSOR REMOTES

IMAGE	DESCRIPTION	MODEL NUMBER	COMPATIBLE WITH
	Remote control for programming motion sensors. One remote can control an entire facility. Store settings in remote, and apply them to each fixture with one button. Manual dimming from 100-10%. Daylight settings can be disabled.	RC01	MS1-DHR-KO-1 MS1-DHR-KO-4
	Remote control for programming motion sensors. One remote can control an entire facility. Store settings in remote, and apply them to each fixture with one button. On/Off mode allows fixture to be set at dim levels from 10-100%	RC-100	M8

PHOTOMETRIC INFORMATION

POLAR CANDELA DISTRIBUTION

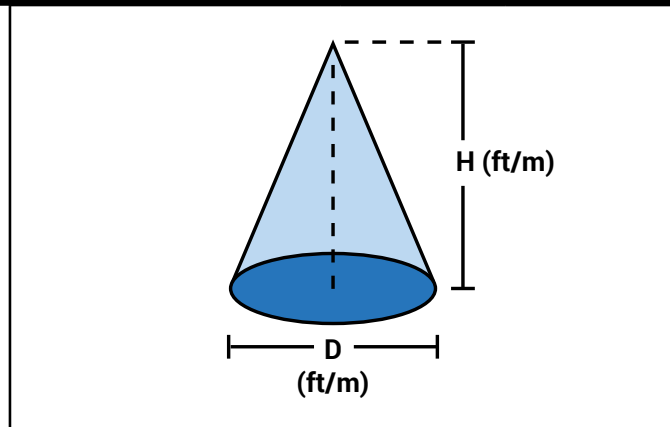
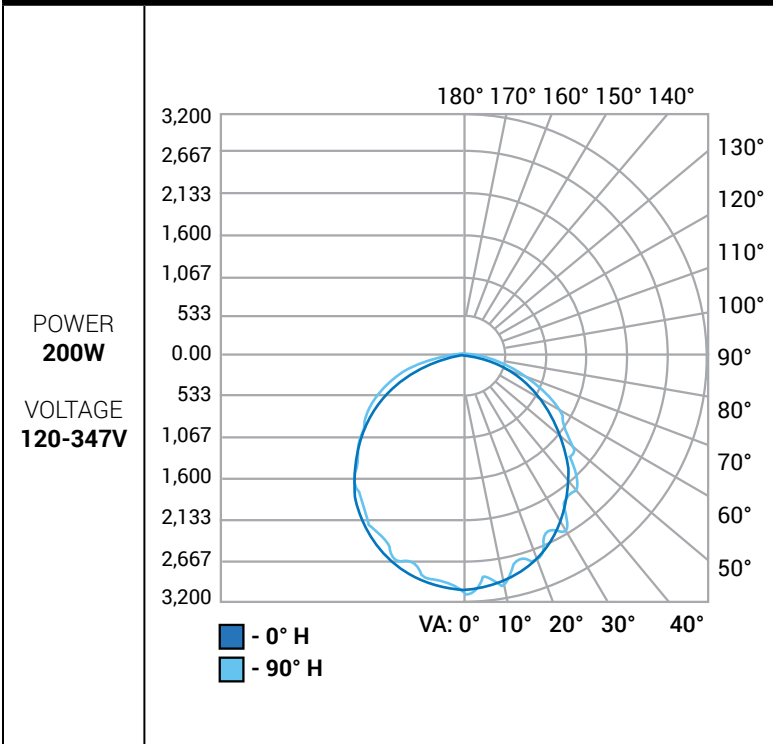
ILLUMINANCE AT A DISTANCE



H (ft/m)	LUX	FC	D (ft/m)
6.6' (2m)	1,704.8	158.4	19.4' (5.9m)
9.8' (3m)	757.7	70.4	28.9' (8.8m)
13.1' (4m)	426.2	39.6	38.4' (11.7m)
16.4' (5m)	272.8	25.3	48.0' (14.6m)
19.7' (6m)	189.4	17.6	57.8' (17.6m)

POLAR CANDELA DISTRIBUTION

ILLUMINANCE AT A DISTANCE



H (ft/m)	LUX	FC	D (ft/m)
6.6' (2m)	2,617.7	243.2	18.1' (5.5m)
9.8' (3m)	1,163.4	108.1	27.3' (8.3m)
13.1' (4m)	654.4	60.8	36.5' (11.1m)
16.4' (5m)	418.8	38.9	45.3' (13.8m)
19.7' (6m)	290.9	27.0	54.5' (16.6m)

*Based on operation at 4000K & 120V.