

Date		Project	
Type		Part Number	



ALL-IN-ONE PERFORMANCE LIGHTING

# MAKO Series

## VAPOR TIGHT FIXTURE

The MAKO Series is designed for durability and high performance. Housed in a rugged polycarbonate body with a silicon perimeter gasket, this fixture is built to withstand harsh environments. Engineered to deliver powerful, energy-efficient lighting, this fixture offers an IP66 protection rating, ensuring it is dust-tight and resistant to powerful water jets, making it ideal for both indoor and outdoor industrial settings. Whether you're lighting up warehouses, factories, or outdoor spaces, this vapor tight strip provides reliable, long-lasting illumination even in the most demanding environments.



### PRODUCT FEATURES

- DLC Standard
- One-piece polycarbonate housing body and frosted polycarbonate lens
- Surface & Suspended Mounting options via supplied clamps inside the fixture body
- Operating temperature: -40°F to +122°F (-40°C to +50°C)
- IP66 Rated for Wet Location
- Rated Lifespan: L70 ~70,000 hrs
- 10 year warranty

### KEY SPECIFICATIONS

<b>Voltage</b>	120-347V
<b>Wattage</b>	<b>Selectable Wattages</b> R1 - 25/35//45W R2 - 50/60/66W 8ft - 60/80/100W
<b>Length</b>	4FT & 8FT
<b>Power Factor</b>	>0.9
<b>CCT</b>	3500K, 4000K, 5000K
<b>CRI</b>	>80
<b>Lumens</b>	3,484 – 13,329 lm
<b>Beam Angle</b>	120°
<b>Dimming</b>	0-10V
<b>Mounting</b>	Surface & Suspended
<b>Applications</b>	Commercial, Warehouse, Food Processing Facilities


 EMERGENCY  
 BACKUP READY

 RENO SMART  
 NLC SYSTEM

 STANDALONE  
 SENSOR OPTIONS

## SPECIFICATIONS – R1 4FT MULTI POWER (25/35/45W)

Order#	Model	Wattage	Voltage	Lumens	Efficacy	CCT
R33110	RENO-LVP4-DV-MW-MCCT-R1	25W	120-347V	3,484 lm	139 lm/W	3500K
				3,565 lm	143 lm/W	4000K
				3,569 lm	143 lm/W	5000K
		35W	120-347V	4,732 lm	135 lm/W	3500K
				4,842 lm	138 lm/W	4000K
				4,787 lm	137 lm/W	5000K
		45W	120-347V	5,966 lm	133 lm/W	3500K
				6,141 lm	137 lm/W	4000K
				5,967 lm	133 lm/W	5000K

## SPECIFICATIONS – R2 4FT MULTI POWER (50/60/66W)

Order#	Model	Wattage	Voltage	Lumens	Efficacy	CCT
R33111	RENO-LVP4-DV-MW-MCCT-R2	50W	120-347V	6,881 lm	138 lm/W	3500K
				7,037 lm	141 lm/W	4000K
				7,004 lm	140 lm/W	5000K
		60W	120-347V	8,095 lm	135 lm/W	3500K
				8,272 lm	138 lm/W	4000K
				8,292 lm	138 lm/W	5000K
		66W	120-347V	8,602 lm	130 lm/W	3500K
				8,962 lm	136 lm/W	4000K
				8,741 lm	132 lm/W	5000K

## SPECIFICATIONS – 8FT MULTI POWER (60/80/100W)

Order#	Model	Wattage	Voltage	Lumens	Efficacy	CCT
R33108	RENO-LVP8-MW-DV-MCCT	60W	120-347V	8,443 lm	141 lm/W	3500K
				8,497 lm	142 lm/W	4000K
				8,091 lm	135 lm/W	5000K
		80W	120-347V	9,883 lm	124 lm/W	3500K
				10,576 lm	132 lm/W	4000K
				10,220 lm	128 lm/W	5000K
		100W	120-347V	13,045 lm	131 lm/W	3500K
				13,306 lm	133 lm/W	4000K
				13,329 lm	133 lm/W	5000K

## DLC CERTIFICATION

Order#	Model	Application	DLC Standard	DLC Premium
R33110	RENO-LVP4-DV-MW-MCCT-R1	Direct Linear Ambient Luminaires	P3K183AC	–
		Low-Bay Luminaires	P3ULFMHT	–
R33111	RENO-LVP4-DV-MW-MCCT-R2	Direct Linear Ambient Luminaires	P6DUXD36	–
		Low-Bay Luminaires	PA3MAC1C	–
R33108	RENO-LVP8-MW-DV-MCCT	Direct Linear Ambient Luminaires	PE9WLIQ	–
		High-Bay Luminaires	P78UOKXL	–

## ACCESSORIES - MOUNTING



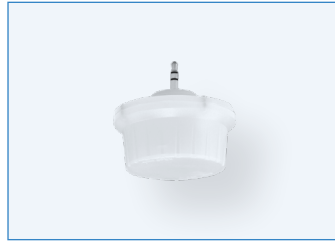
R39204  
RENO-RP  
Aircraft Suspension Cables

Order#	Model	Description
R39204	RENO-RP	Aircraft Suspension Cables

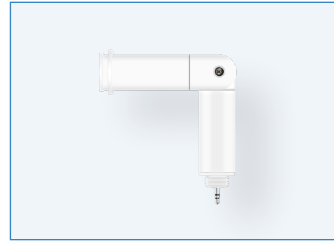
## ACCESSORIES – RENO SMART NLC SENSORS



R75001  
RENO-RS-JK-BPDN-12V  
Bluetooth 3.5mm Jack PIR  
Sensor for RENO Smart NLC  
System



R75002  
RENO-RS-JK-BMWM-12V  
Bluetooth 3.5mm Jack  
Microwave Sensor for RENO  
Smart NLC System



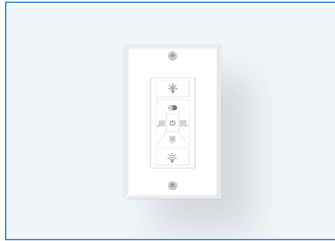
R75102  
RENO-RS-JK-AD-L  
Adjustable "L" Angle Adaptor  
for 3.5mm Jack Sensors



R75201  
RENO-RS-GW-BCNW  
Ceiling Mounted Gateway for  
RENO Smart NLC System



R75301  
RENO-RS-RC-BNNN  
5-Key Reset Remote Controller



R75302  
RENO-RS-RC-BNNG  
Ceiling Mounted Gateway for  
RENO Smart NLC System

Order#	Model	Description
R75001	RENO-RS-JK-BPDN-12V	Bluetooth 3.5mm Jack PIR Sensor (*Requires R75102)
R75002	RENO-RS-JK-BMWM-12V	Bluetooth 3.5mm Jack Microwave Sensor (*Requires R75102)
R75102*	RENO-RS-JK-AD-L	Adjustable "L" Angle Adaptor for 3.5mm Jack Sensors
R75201	RENO-RS-GW-BCNW	Ceiling Mounted Gateway for RENO Smart NLC System
R75301	RENO-RS-RC-BNNN	5-Key Reset Remote Controller
R75302	RENO-RS-RC-BNNG	7-Key Smart Wall Switch for RENO Smart NLC System

## ACCESSORIES – EMERGENCY LED DRIVERS



R83004  
RENO-EM-C08  
Internal Mount Emergency LED  
Driver (100-347V AC, 50-60Hz, 8W)

Order#	Model	Description
R83004	RENO-EM-C08	Internal Mount Emergency LED Driver (100-347V AC, 50-60Hz, 8W)

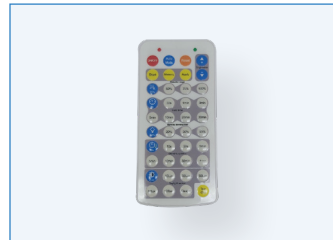
## ACCESSORIES – STANDALONE SENSOR & REMOTES



R74002  
RENO-SENSOR-PIR-H-EX  
For external mounting when  
installed above 13FT



R73002  
RENO-REMOTE-H  
Remote Control for Standalone  
Sensors (With Screen)

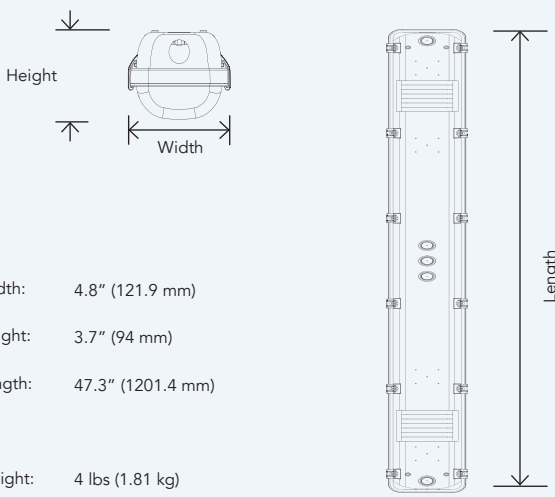


R73005  
RENO-REMOTE-H-ECO  
Remote Control for Standalone  
sensors (Without Screen)

Order#	Model	Description
R74002	RENO-SENSOR-PIR-H-EX	For external mounting when installed above 13FT
R73002	RENO-REMOTE-H	Remote Control for Standalone Sensors (With Screen) Note: Only 1 needed per project.
R73005	RENO-REMOTE-H-ECO	Remote Control for Standalone sensors (Without Screen) Note: Only 1 needed per project

## DIMENSIONS

**R1**



Height

Width

Length

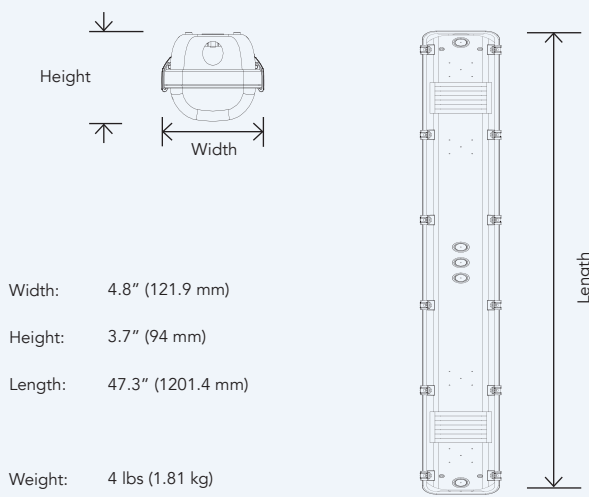
Width: 4.8" (121.9 mm)

Height: 3.7" (94 mm)

Length: 47.3" (1201.4 mm)

Weight: 4 lbs (1.81 kg)

**R2**



Height

Width

Length

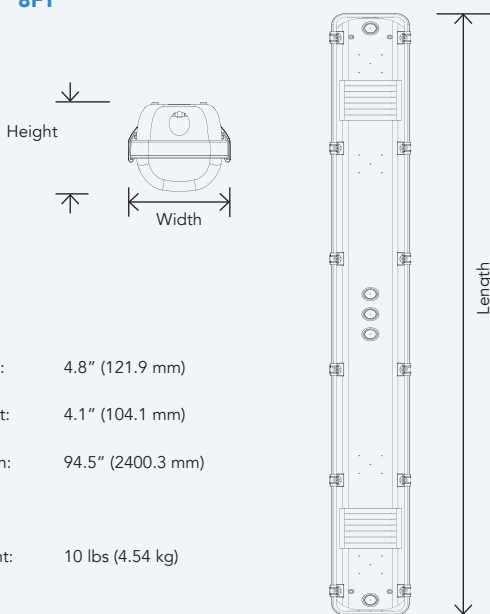
Width: 4.8" (121.9 mm)

Height: 3.7" (94 mm)

Length: 47.3" (1201.4 mm)

Weight: 4 lbs (1.81 kg)

**8FT**



Height

Width

Length

Width: 4.8" (121.9 mm)

Height: 4.1" (104.1 mm)

Length: 94.5" (2400.3 mm)

Weight: 10 lbs (4.54 kg)