

Date		Project	
Type		Part Number	



ALL-IN-ONE PERFORMANCE LIGHTING

PRISM Series

Center Basket Troffer

The Prism Series introduces a cutting-edge evolution of the traditional Center Basket Troffer, designed to elevate both performance and aesthetics. Featuring an innovative angled lens, this product creates a dynamic play of light that adds depth and dimension to any space. With the added flexibility of Multi CCT and Wattage options, installation becomes seamless and adaptable, ensuring the ideal illumination for a wide range of applications. Whether you're outfitting offices, retail spaces, or healthcare environments, the Prism Series guarantees superior lighting that meets both functional and design needs.



PRODUCT FEATURES

- DLC Premium
- Housing fabricated from 22-gauge, cold-rolled steel
- Powder-coated finish white
- 0-10V Dimming
- Optional PIR sensor available
- Damp location suitable
- Operating temperature: -4°F to +122°F (-20°C to +50°C)
- Rated Lifespan: L70 ~100,000 hrs
- 10 year warranty

KEY SPECIFICATIONS

Voltage	120-347V
Wattage	Selectable 1x4 - 15/19/24/29W 2x2 - 15/19/24/29W 2x4 - 29/34/39/49W
Sizes	1x4, 2x2, & 2x4
Power Factor	>0.9
CCT	3500K, 4000K, 5000K
CRI	>80
Lumens	Up to 6,401 lm
Beam Angle	110°
Dimming	0-10V
Mounting	T-Bar Ceiling
Applications	Commercial, Offices, Education Institutes, Healthcare Facilities, Retail Facilities


 EMERGENCY
 BACKUP READY

 RENO SMART
 NLC SYSTEM

 STANDALONE
 SENSOR OPTIONS


SPECIFICATIONS – 1X4 MULTI POWER (15/19/24/29W)

Order#	Model	Wattage	Voltage	Lumens	Efficacy	CCT
R37014	RENO-14CTF-UNV/347-MWMCCT-HL	15W	120-347V	2,575 lm	171 lm/W	3500K
				2,656 lm	177 lm/W	4000K
				2,689 lm	179 lm/W	5000K
		19W	120-347V	3,263 lm	171 lm/W	3500K
				3,427 lm	180 lm/W	4000K
				3,395 lm	178 lm/W	5000K
		24W	120-347V	3,808 lm	159 lm/W	3500K
				3,935 lm	164 lm/W	4000K
				4,074 lm	169 lm/W	5000K
		29W	120-347V	4,988 lm	172 lm/W	3500K
				5,264 lm	181 lm/W	4000K
				5,181 lm	178 lm/W	5000K

SPECIFICATIONS – 2X2 MULTI POWER (15/19/24/29W)

Order#	Model	Wattage	Voltage	Lumens	Efficacy	CCT
R37015	RENO-22CTF-UNV/347-MWMCCT-HL	15W	120-347V	2,575 lm	171 lm/W	3500K
				2,656 lm	177 lm/W	4000K
				2,689 lm	179 lm/W	5000K
		19W	120-347V	3,263 lm	171 lm/W	3500K
				3,427 lm	180 lm/W	4000K
				3,395 lm	178 lm/W	5000K
		24W	120-347V	3,808 lm	159 lm/W	3500K
				3,935 lm	164 lm/W	4000K
				4,074 lm	169 lm/W	5000K
		29W	120-347V	4,988 lm	172 lm/W	3500K
				5,264 lm	181 lm/W	4000K
				5,181 lm	178 lm/W	5000K

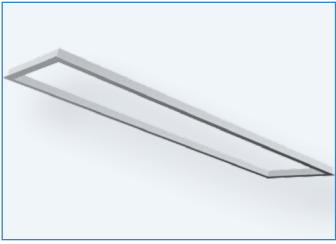
SPECIFICATIONS – 2X4 MULTI POWER (29/34/39/49W)

Order#	Model	Wattage	Voltage	Lumens	Efficacy	CCT
R37006	RENO-24CTF-UNV/347-MWMCCT	29W	120-347V	3,847 lm	133 lm/W	3500K
				3,847 lm	133 lm/W	4000K
				3,782 lm	130 lm/W	5000K
		34W	120-347V	4,330 lm	127 lm/W	3500K
				4,505 lm	132 lm/W	4000K
				4,438 lm	130 lm/W	5000K
		39W	120-347V	4,925 lm	126 lm/W	3500K
				5,091 lm	130 lm/W	4000K
				5,001 lm	128 lm/W	5000K
		49W	120-347V	6,102 lm	125 lm/W	3500K
				6,401 lm	131 lm/W	4000K
				6,215 lm	127 lm/W	5000K

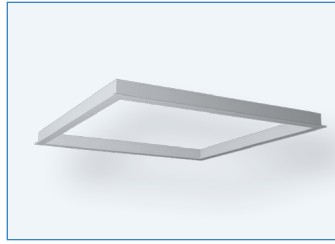
DLC CERTIFICATION

Order#	Model	Application	DLC Standard	DLC Premium
R37014	RENO-14CTF-UNV/347-MWMCCT-HL	Luminaires for Ambient Lighting	S-WGCZGB	–
		Low-Bay Luminaires	–	S-8XRQP2
R37015	RENO-22CTF-UNV/347-MWMCCT-HL	Luminaires for Ambient Lighting	S-91N32V	–
		Low-Bay Luminaires	–	S-S0QFW9
R37006	RENO-24CTF-UNV/347-MWMCCT	Luminaires for Ambient Lighting	–	S-BUSJFQ
		Low-Bay Luminaires	–	S-M8S98Z

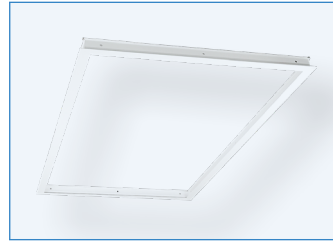
ACCESSORIES – MOUNTING



R39211
RENO-RFK14
Recessed Flange Kit for 1X4
Fixtures



R39212
RENO-RFK22
Recessed Flange Kit for 2X2
Fixtures



R39213
RENO-RFK24
Recessed Flange Kit for 2X4
Fixtures

Order#	Model	Description
R39211	RENO-RFK14	Recessed Flange Kit for 1X4 Fixtures
R39212	RENO-RFK22	Recessed Flange Kit for 2X2 Fixtures
R39213	RENO-LHB-CK-R2/R3	Recessed Flange Kit for 2X4 Fixtures

ACCESSORIES – EMERGENCY LED DRIVERS



R83001
RENO-EM-H15
Emergency LED Driver
(100-347V AC, 50-60Hz, 15W)

Order#	Model	Description
R83001	RENO-EM-H15	External Mount Emergency Driver, 15W Output, ≥90 Minutes Operating Time

ACCESSORIES – STANDALONE SENSOR & REMOTES



R74001
RENO-SENSOR-PIR-H
PIR Sensor for Troffers and
Center Basket Fixtures



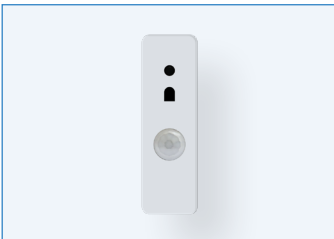
R73002
RENO-REMOTE-H
Remote Control for Standalone
Sensors



R73005
RENO-REMOTE-H-ECO
Remote Control for Standalone
Sensors

Order#	Model	Description
R74001	RENO-SENSOR-PIR-H	PIR Sensor for Troffers and Center Basket Fixtures
R73002	RENO-REMOTE-H	Remote Control for Standalone Sensors (With Screen) Note: Only 1 needed per project.
R73005	RENO-REMOTE-H-ECO	Remote Control for Standalone Sensors (With Screen) Note: Only 1 needed per project.

ACCESSORIES – RENO SMART NLC SENSORS



R75003
RENO-RS-BPRN-12V
Bluetooth PIR Sensor for
RENO Smart NLC System

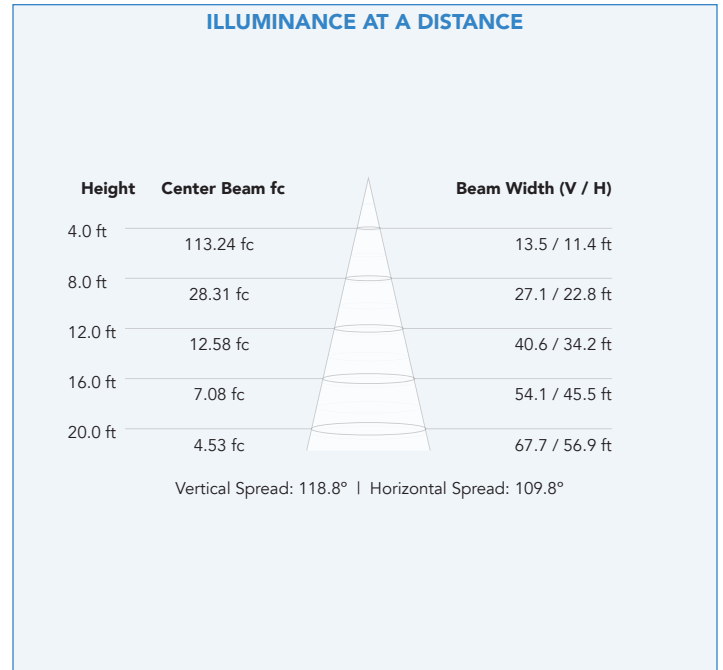
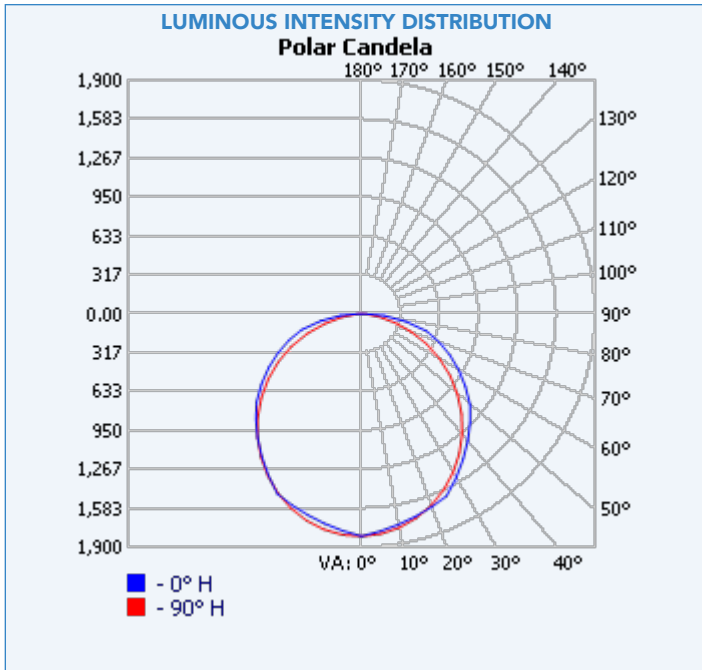


R75201
RENO-RS-GW-BCNW
Ceiling Mounted Gateway for
RENO Smart NLC System

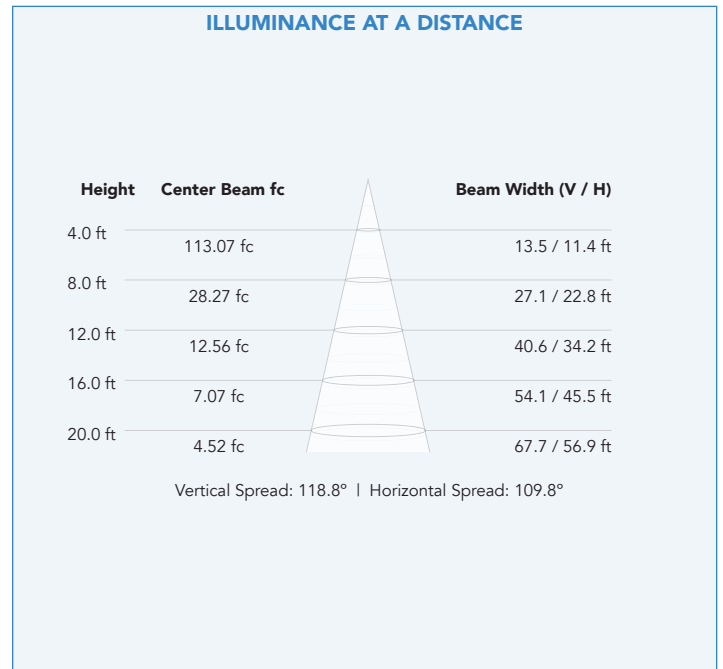
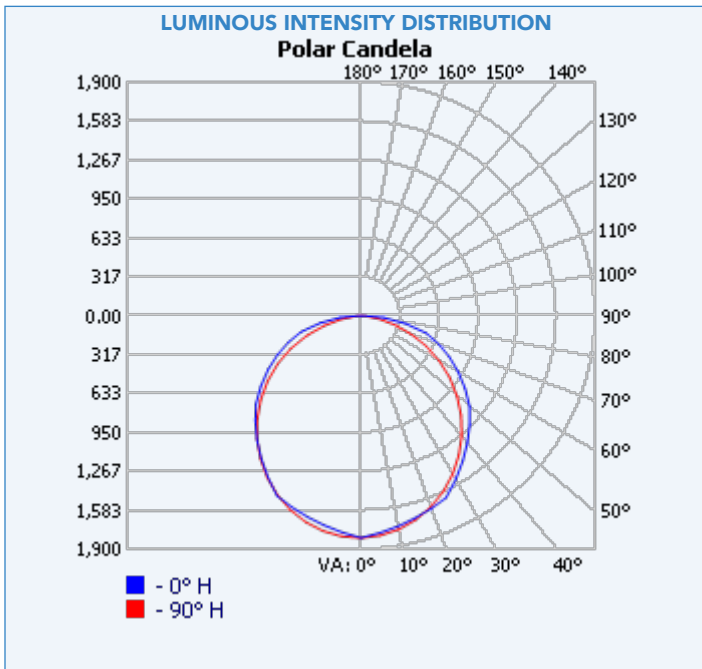
Order#	Model	Description
R75003	RENO-RS-BPRN-12V	Bluetooth PIR Sensor for Troffers and Flat Panels
R75201	RENO-RS-GW-BCNW	Ceiling Mounted Gateway for RENO Smart NLC System

****All Reno Smart Sensors are programmed/commissioned using our Reno Smart App**

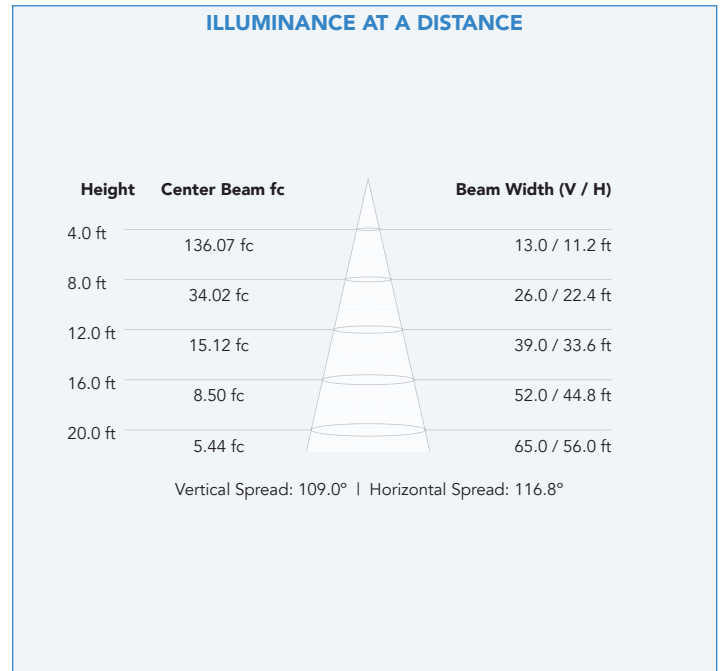
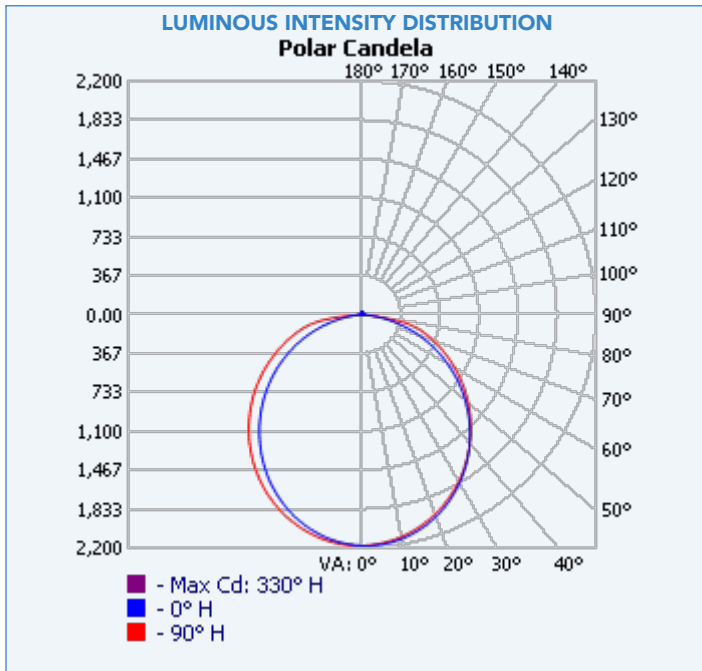
PHOTOMETRICS - 1X4



PHOTOMETRICS - 2X2

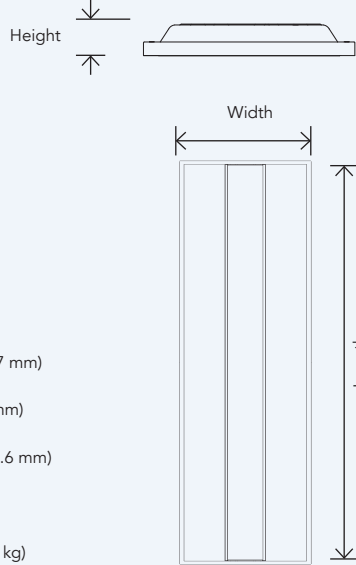


PHOTOMETRICS - 2X4



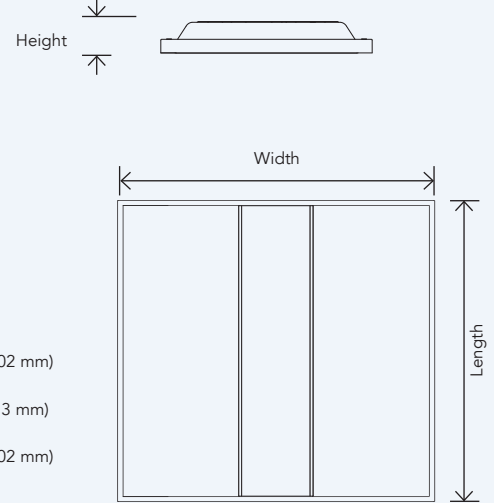
DIMENSIONS

1X4



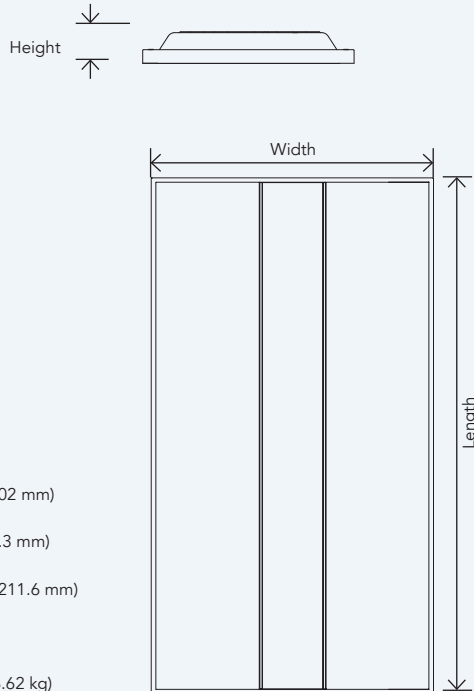
Width: 11.8" (299.7 mm)
 Height: 2.3" (53.3 mm)
 Length: 47.7" (1211.6 mm)
 Weight: 11 lbs (4.98 kg)

2X2



Width: 23.7" (602 mm)
 Height: 2.3" (53.3 mm)
 Length: 23.7" (602 mm)
 Weight: 15 lbs (6.80 kg)

2X4



Width: 23.7" (602 mm)
 Height: 2.3" (53.3 mm)
 Length: 47.7" (1211.6 mm)
 Weight: 19 lbs (8.62 kg)