

Date:	Project Name:
Type:	Part Number:



HALO SERIES

LED ARCHITECTURAL POST TOP





DESCRIPTION

The RENO Post Top Fixture provides high quality illumination ideal for outdoor locations requiring energy-savings and a long life which is great for both security and decorative post top lighting for commercial applications such as parking lots or large walkways or parks.

FEATURES

- DLC Premium
- Dark Sky Approved when set to 3K
- Aluminum housing & PC Lens
- High and stable lumen output
- Elegant & Efficient Design
- Easy Installation & Maintenance
- Dual Voltage 120-347V
- Rated Lifetime L70(hrs): >70,000
- Powder coated black or white finish
- CRI >70
- Beam Angle 90°
- Optional Microwave & Photocell sensor available
- 7 year warranty

APPLICATIONS

-  Commercial Building
-  Outdoor Parking
-  Pedestrian Path
-  Shopping Mall



Date:	Project Name:
Type:	Part Number:

SPECIFICATION

ORDER#	MODEL#	WATTS	VOLTAGE (V)	LUMENS	CCT(K)	COLOUR
R55004	RENO-PT-DV-MW-MCCT-R1	40/50/60W	120-347V	5200/6500/7800	30/40/50K	BLK
R55005	RENO-PT-DV-MW-MCCT-R2	60/80/100W	120-347V	7800/10,400/13,000	30/40/50K	BLK
R55006	RENO-PT-DV-MW-MCCT-R3	120/135/150W	120-347V	15,600/17,550/19,500	30/40/50K	BLK
R55011	RENO-PT-DV-MW-MCCT-R1-WH	40/50/60W	120-347V	5200/6500/7800	30/40/50K	WHT
R55012	RENO-PT-DV-MW-MCCT-R2-WH	60/80/100W	120-347V	7800/10,400/13,000	30/40/50K	WHT

DLC INFORMATION

ORDER#	MODEL#	APPLICATION	DLC	
			STANDARD	PREMIUM
R55004	RENO-PT-DV-MW-MCCT-R1	Direct Outdoor Pole/Arm-Mounted Decorative Luminaires		S-S8G41C
R55005	RENO-PT-DV-MW-MCCT-R2			S-M3DP97
R55006	RENO-PT-DV-MW-MCCT-R3			S-BORKP5
R55011	RENO-PT-DV-MW-MCCT-R1-WH			S-S8G41C
R55012	RENO-PT-DV-MW-MCCT-R2-WH			S-M3DP97

ACCESSORIES

ORDER#	MODEL#	DESCRIPTION
R59304	RENO-TAR3	Tenon Adapter for 3 inch Round Poles
R59305	RENO-TAR4	Tenon Adapter for 4 inch Round Poles
R59306	RENO-TAR5	5 inch Round Mount

*NOTE: Adaptors can be custom painted by request.



RENO-TAR3



RENO-TAR4



RENO-TAR5

Date:	Project Name:
Type:	Part Number:

RENO SMART NLC SYSTEM ACCESSORIES

ORDER#	MODEL#	DESCRIPTION
R75001	RENO-RS-JK-BPDN-12V	Bluetooth 3.5mm Jack PIR Sensor for RENO Smart NLC System
R75002	RENO-RS-JK-BMWM-12V	Bluetooth 3.5mm Jack Microwave Sensor for RENO Smart NLC System
R75201	RENO-RS-GW-BCNW	Ceiling Mounted Gateway for RENO Smart NLC System
R75302	RENO-RS-RC-BNNG	7-Key Smart Wall Switch for RENO Smart NLC System
R75301	RENO-RS-RC-BNNN	5-Key Reset Remote



RENO-RS-JK-BPDN-12V



RENO-RS-JK-BMWM-12V



RENO-RS-GW-BCNW



RENO-RS-RC-BNNG



RENO-RS-RC-BNNN

STANDALONE SENSORS

ORDER#	MODEL#	DESCRIPTION
R72001	RENO-SENSOR-PC-S	Photocell Sensor
R71002	RENO-SENSOR-MW-H	Dimming Microwave Sensor



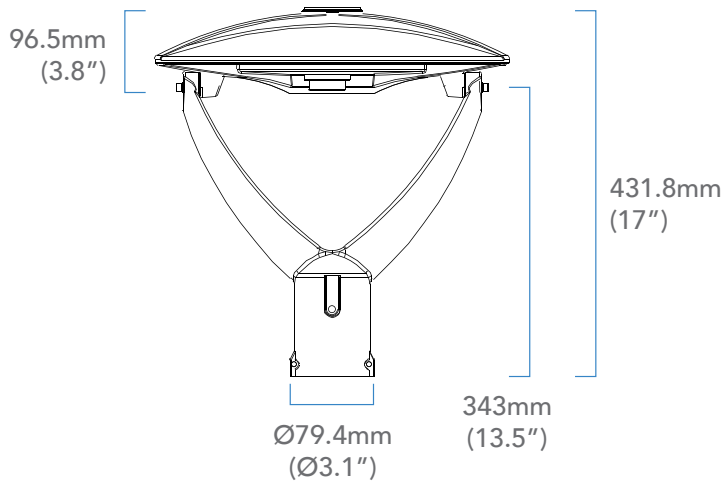
RENO-SENSOR-PC-S



RENO-SENSOR-MW-H

Date:	Project Name:
Type:	Part Number:

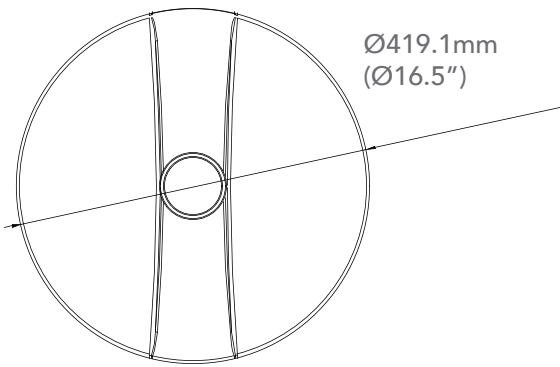
DIMENSIONS



EPA=0.75



EPA=0.528



EPA=1.78