

Date		Project	
Type		Part Number	



ALL-IN-ONE PERFORMANCE LIGHTING

BRILLIANCE Series

Fire Rated Slim Potlight

The Brilliance Series Fire Rated Recessed Downlights are designed to provide exceptional illumination. These downlights provide two hours of protection in the event of a fire and are perfect solution for installations with low ceiling clearance. High-quality mounting spring, quick connectors, and included junction box. The premium aluminum body of this LED downlight ensures superior durability and aesthetics compared to plastic options.



2 HOUR FIRE RATING
Tested to comply with UL 263,
 ASTM E119 & CAN ULC S101

PRODUCT FEATURES

- JA8 compliant
- FT4-Rated Cable
- 2-Hour fire rating providing a reinforced and heat resistant steel casing
- IC-rated and Air-Tight ready and may be in direct contact with insulation
- Compatible with Soffit installations and can be installed in shallow plenum spaces
- Flicker-free 120V forward-phase triac dimming down to 5%
- 277-347V Driver Available
- Operating temperature: -4°F to +104°F (-20°C to +40°C)
- Rated Lifespan: L70 ~100,000 hrs
- 5 year warranty

KEY SPECIFICATIONS

Voltage	120V
Sizes	4" & 6"
Wattage	9W, 15W
Lumens	800 lm, 1100 lm
CCT	27/30/35/40/5000K
Power Factor	>0.9
CRI	>90
Beam Angle	108°
Dimming	120V forward-phase TRIAC Dimming
Mounting	Recessed
Applications	Commercial, Residential, Retail Facilities



EMERGENCY
 BACKUP READY

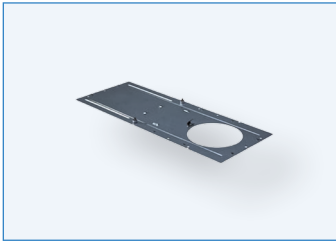
SPECIFICATIONS - 4" FIRE RATED SLIM POTLIGHT

Order#	Model	Wattage	Voltage	Lumens	Efficacy	CCT	Finish
R36033	RENO-LED-4-S12W-5CCT-WH-FR	12W	120V	800 lm	67 lm/W	2700/3000 3500/ 4000/5000K	White

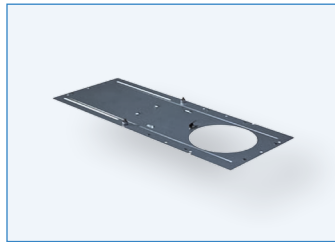
SPECIFICATIONS - 6" FIRE RATED SLIM POTLIGHT

Order#	Model	Wattage	Voltage	Lumens	Efficacy	CCT	Finish
R36032	RENO-LED-6-S15W-5CCT-WH-FR	15W	120V	1100 lm	73 lm/W	2700/3000 3500/ 4000/5000K	White

ACCESSORIES – MOUNTING



R39108
RENO-MP4
4" Mounting Plate without clip



R39109
RENO-MP6
6" Mounting Plate without clip



R39105
RENO-HBL015-347V-D
AC277-347V driver for 4" & 6"
slim potlight

Order#	Model	Description
R39108	RENO-MP4	4" Mounting Plate without clip (Opening 108mm)
R39109	RENO-MP6	6" Mounting Plate without clip (Opening 158mm)
R39105	RENO-HBL012-347V-D	AC277-347V driver for 4" & 6" slim potlight, Non-dimmable

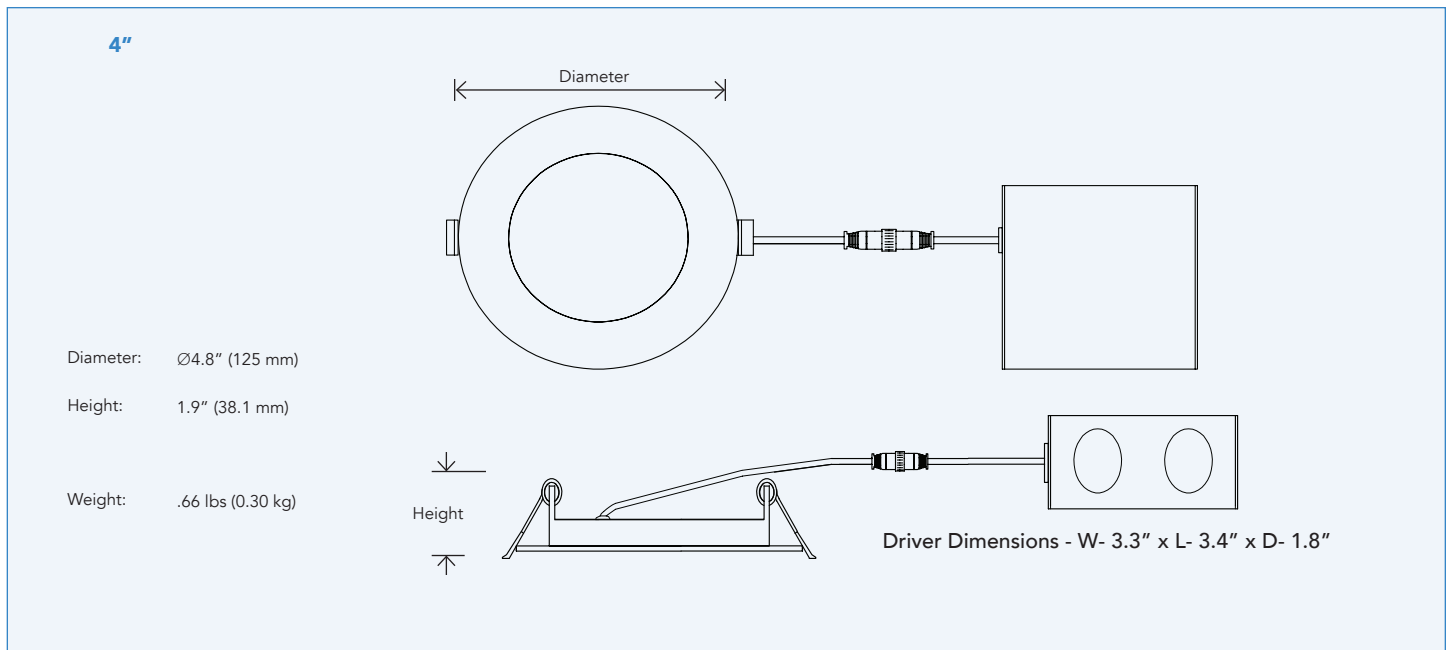
ACCESSORIES – EMERGENCY LED DRIVERS



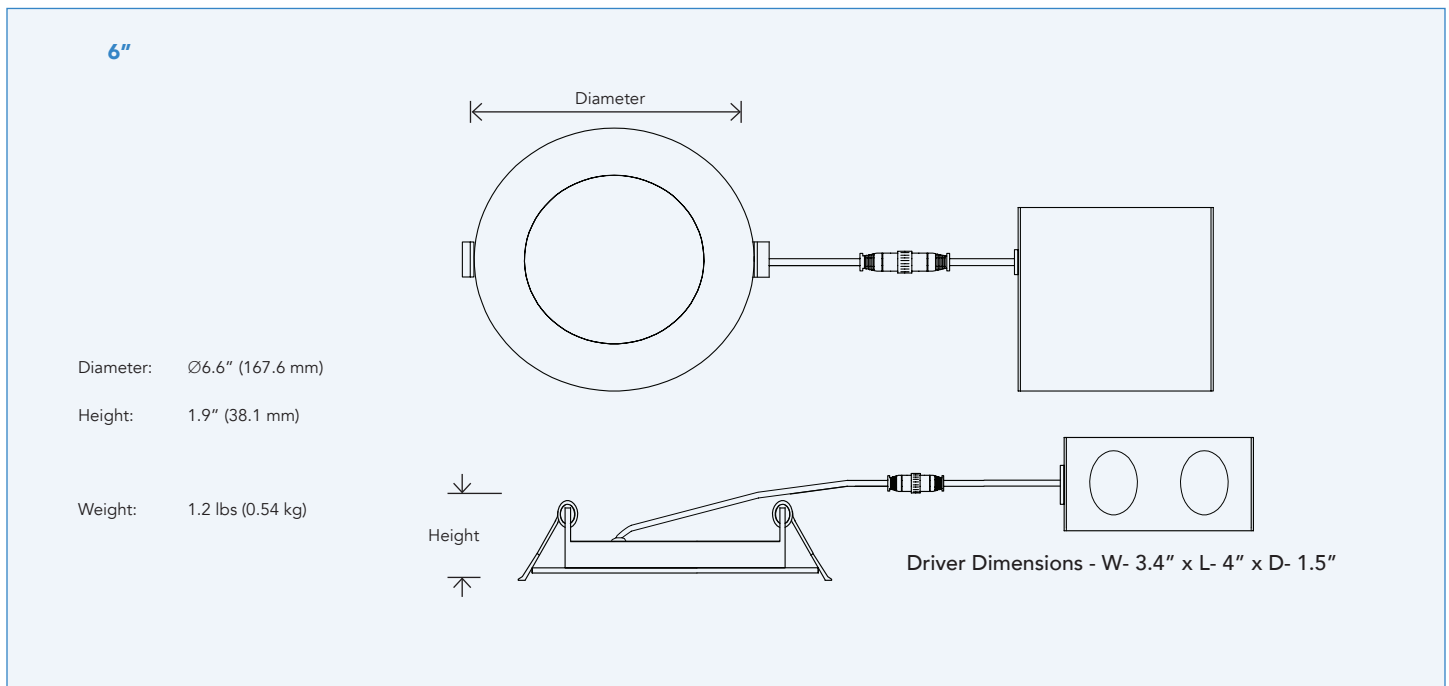
R83000
RENO-EM-H08
Emergency LED Driver
(100-347V AC, 50-60Hz, 12W)

Order#	Model	Description
R83000	RENO-EM-H08	Emergency LED Driver (100-347V AC, 50-60Hz, 12W)

DIMENSIONS



*NOTE: Width in ceiling needed for the driver to fit is 3" Cut hole size 4-1/4" (108mm)



*NOTE: Width in ceiling needed for the driver to fit is 3" Cut hole size 6.26" (159mm)