

Date:	Project Name:
Type:	Part Number:



ZENITH SERIES

LED LINEAR HIGHBAY

DESCRIPTION

Reno Lighting's Zenith Series is the newest addition to our line of LED Highbay fixtures. With its modern and sleek design, it features a slim and light weight profile that will improve the aesthetics of any industrial, commercial or high ceiling retail facility.

FEATURES

- DLC Premium
- 0-10V dimming control compatible
- Shipped with V-Hooks, Chain & 10 FT. Cord
- Operating temperature: -40°F to +122°F (-40°C to +50°C)
- Dual Voltage 120-347V
- Damp location
- Semi-Frosted PMMA lens
- Rated Lifetime L70(hrs): >100,000
- 10kV Surge Protection
- Multi CCT & Wattage
- 10 year warranty

APPLICATIONS

-  Commercial Building
-  Industrial/Warehouse
-  Retail Facility



Date:	Project Name:
Type:	Part Number:

SPECIFICATION

ORDER#	MODEL#	WATTS	VOLTAGE (V)	LUMENS	EFFICACY	CCT (K)
R34111	RENO-LHB2-DV-MW-MCCT-R1	100W	120-347V	17,000 lm	170 lm/W	3500K
				17,700 lm	177 lm/W	4000K
				17,100 lm	171 lm/W	5000K
		125W	120-347V	20,625 lm	165 lm/W	3500K
				21,625 lm	173 lm/W	4000K
				20,750 lm	166 lm/W	5000K
		140W	120-347V	22,470 lm	160.5 lm/W	3500K
				23,800 lm	170 lm/W	4000K
				22,540 lm	161 lm/W	5000K
R34112	RENO-LHB2-DV-MW-MCCT-R2	145W	120-347V	23,940 lm	171 lm/W	3500K
				24,780 lm	177 lm/W	4000K
				24,080 lm	172 lm/W	5000K
		155W	120-347V	25,885 lm	167 lm/W	3500K
				27,125 lm	175 lm/W	4000K
				26040 lm	168 lm/W	5000K
		175W	120-347V	28,560 lm	163.2 lm/W	3500K
				30,275 lm	173 lm/W	4000K
				28,700 lm	164 lm/W	5000K
R34113	RENO-LHB2-DV-MW-MCCT-R3	180W	120-347V	29,700 lm	165 lm/W	3500K
				31,500 lm	175 lm/W	4000K
				29,880 lm	166 lm/W	5000K
		210W	120-347V	34,440 lm	164 lm/W	3500K
				36,540 lm	174 lm/W	4000K
				34,650 lm	165 lm/W	5000K
		230W	120-347V	37,605 lm	163.5 lm/W	3500K
				39,790 lm	173 lm/W	4000K
				37,720 lm	164 lm/W	5000K

Date:	Project Name:
Type:	Part Number:

SPECIFICATION CON'T

ORDER#	MODEL#	WATTS	VOLTAGE (V)	LUMENS	EFFICACY	CCT (K)
R34114	RENO-LHB2-DV-MW-MCCT-R4	250W	120-347V	43,000 lm	172 lm/W	3500K
				45,500 lm	182 lm/W	4000K
				44,250 lm	177 lm/W	5000K
		300W	120-347V	50,400 lm	168 lm/W	3500K
				53,400 lm	178 lm/W	4000K
				51,900 lm	173 lm/W	5000K
		340W	120-347V	55,998 lm	164.7 lm/W	3500K
				59,840 lm	176 lm/W	4000K
				57,800 lm	170 lm/W	5000K
R34115	RENO-LHB4-DV-MW-MCCT-R5	340W	120-347V	56,100 lm	165 lm/W	3500K
				58,820 lm	173 lm/W	4000K
				56,440 lm	166 lm/W	5000K
		380W	120-347V	62,320 lm	164 lm/W	3500K
				65,360 lm	172 lm/W	4000K
				62,700 lm	165 lm/W	5000K
		420W	120-347V	68,460 lm	163 lm/W	3500K
				71,820 lm	171 lm/W	4000K
				68,880 lm	164 lm/W	5000K
		450W	120-347V	72,810 lm	161.8 lm/W	3500K
				76,500 lm	170 lm/W	4000K
				73,350 lm	163 lm/W	5000K

DLC INFORMATION

ORDER#	MODEL#	APPLICATION	DLC	
			STANDARD	PREMIUM
R34111	RENO-LHB2-DV-MW-MCCT-R1	High-Bay Luminaires for Commercial and Industrial Buildings	-	S-Y5GG1D
R34112	RENO-LHB2-DV-MW-MCCT-R2	High-Bay Luminaires for Commercial and Industrial Buildings	-	S-PPJLMR
R34113	RENO-LHB2-DV-MW-MCCT-R3	High-Bay Luminaires for Commercial and Industrial Buildings	-	S-5KS9TJ
R34114	RENO-LHB2-DV-MW-MCCT-R4	High-Bay Luminaires for Commercial and Industrial Buildings	-	S-XGXWC8
R34115	RENO-LHB4-DV-MW-MCCT-R5	High-Bay Luminaires for Commercial and Industrial Buildings	-	S-7L43NZ

Date:	Project Name:
Type:	Part Number:

ACCESSORIES

ORDER#	MODEL#	DESCRIPTION
R39301	RENO-LHB-HPM	Center Box for Pendant Mounting - R1
R39305	RENO-LHB-CK-R1	Connection Kit for ganging Highbays R1
R39306	RENO-LHB-CK-R2/R3	Connection Kit for ganging Highbays R2/R3
R39303	RENO-LHB-WG-R1	Wire Guards for Linear Highbays R1
R39304	RENO-LHB-WG-R2	Wire Guards for Linear Highbays R2
R39308	RENO-LHB-WG	Wire Guards for Linear Highbays R3/R4



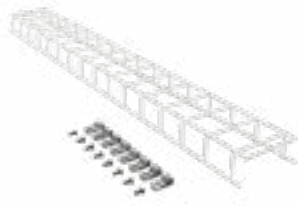
RENO-LHB-HPM



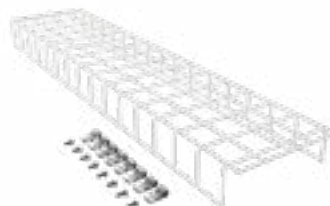
RENO-LHB-CK-R1



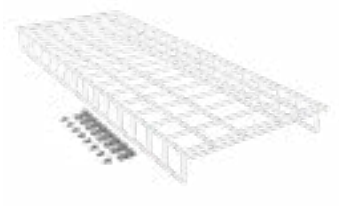
RENO-LHB-CK-R2/R3



RENO-LHB-WG-R1



RENO-LHB-WG-R2



RENO-LHB-WG-R3/R4

EMERGENCY BATTERY

ORDER#	MODEL#	DESCRIPTION
R83002	RENO-EM-H25	Emergency LED Driver (100-347Vac, 50/60Hz, 25W)
R83003	RENO-EM-H40	Emergency LED Driver (100-347Vac, 50/60Hz, 40W)



RENO-EM-H25



RENO-EM-H40 (with test switch)



Date:	Project Name:
Type:	Part Number:

RENO SMART NLC SYSTEM ACCESSORIES

ORDER#	MODEL#	DESCRIPTION
R75001	RENO-RS-JK-BPDN-12V	Bluetooth 3.5mm Jack PIR Sensor for RENO Smart NLC System
R75002	RENO-RS-JK-BMWM-12V	Bluetooth 3.5mm Jack Microwave Sensor for RENO Smart NLC System
R75201	RENO-RS-GW-BCNW	Ceiling Mounted Gateway for RENO Smart NLC System
R75302	RENO-RS-RC-BNNG	7-Key Smart Wall Switch for RENO Smart NLC System
R75301	RENO-RS-RC-BNND	5-Key Reset Remote



RENO-RS-JK-BPDN-12V



RENO-RS-JK-BMWM-12V



RENO-RS-GW-BCNW



RENO-RS-RC-BNNG



RENO-RS-RC-BNND

Date:	Project Name:
Type:	Part Number:

STANDALONE SENSOR

ORDER#	MODEL#	DESCRIPTION
R71002	RENO-SENSOR-MW-H	Bi-Level Dim Sensor for Linear Highbay



RENO-SENSOR-MW-H

STANDALONE SENSOR REMOTES

ORDER#	MODEL#	DESCRIPTION
R73002	RENO-REMOTE-H	Controller for Bi-Level Sensor (with screen)
R73005	RENO-REMOTE-H-ECO	Remote Control for ECO LINEAR HIGHBAY/FULL CUTOFF WALLPACK/ LINEAR STRIP/VP FIXTURE (without screen)



RENO-REMOTE-H

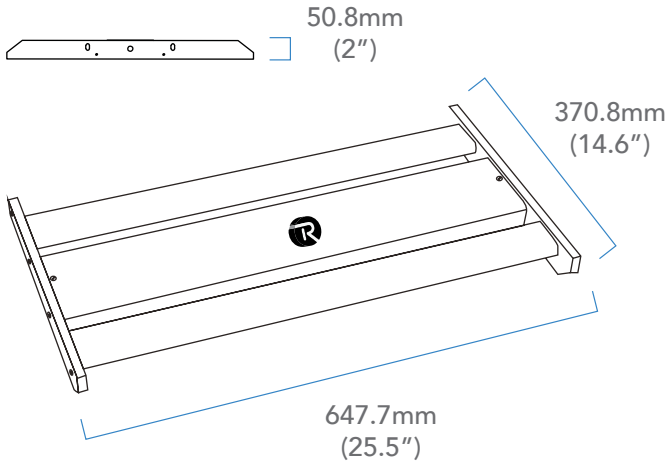


RENO-REMOTE-H-ECO

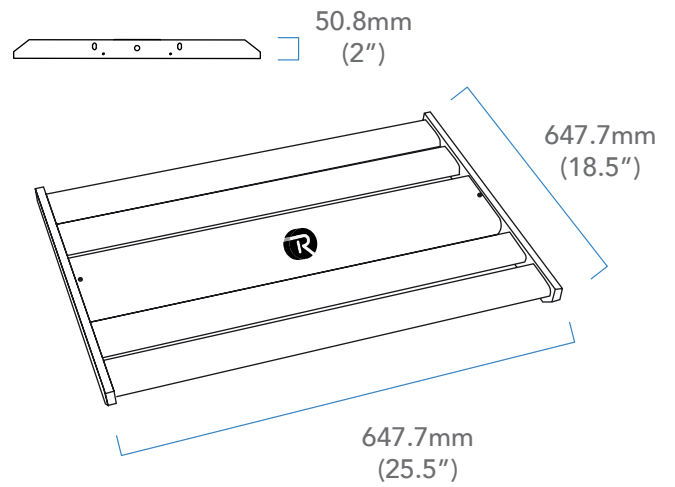
Date:	Project Name:
Type:	Part Number:

DIMENSIONS

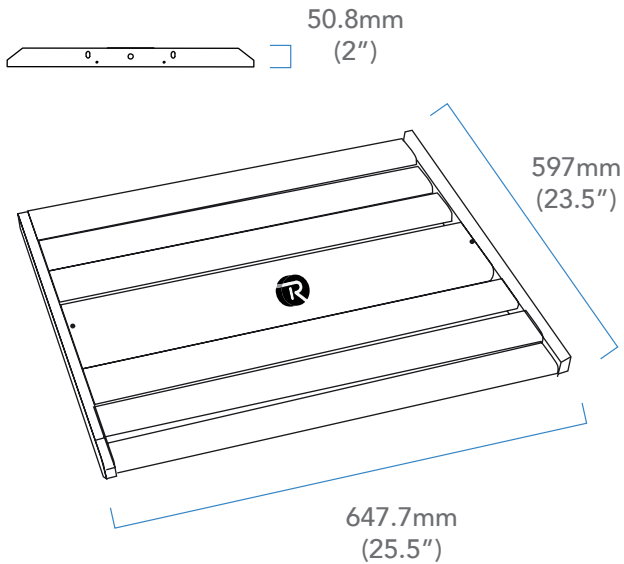
R1 11 lbs



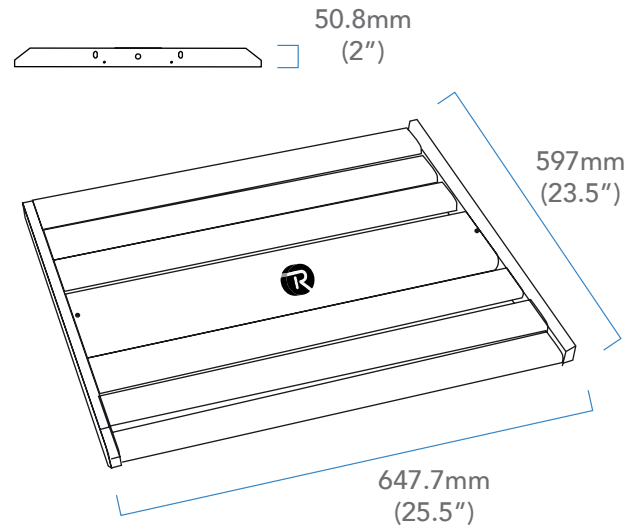
R2 15 lbs



R3 19 lbs



R4 24 lbs



R5 48 lbs

