







RENO<sup>TM</sup>  
LIGHTING

# STORY Series

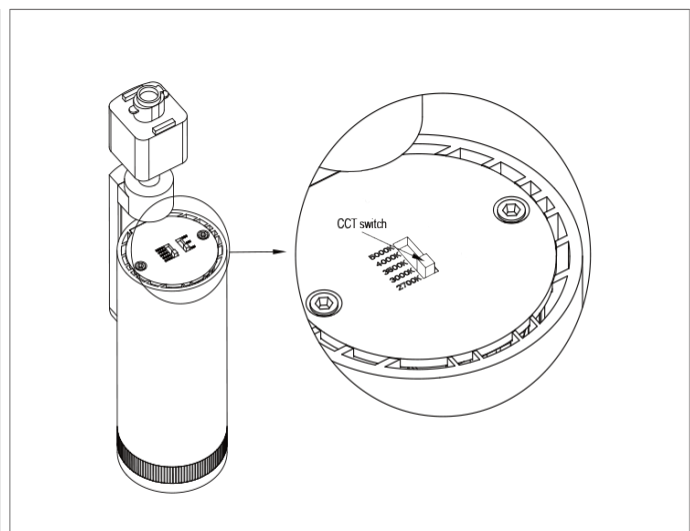
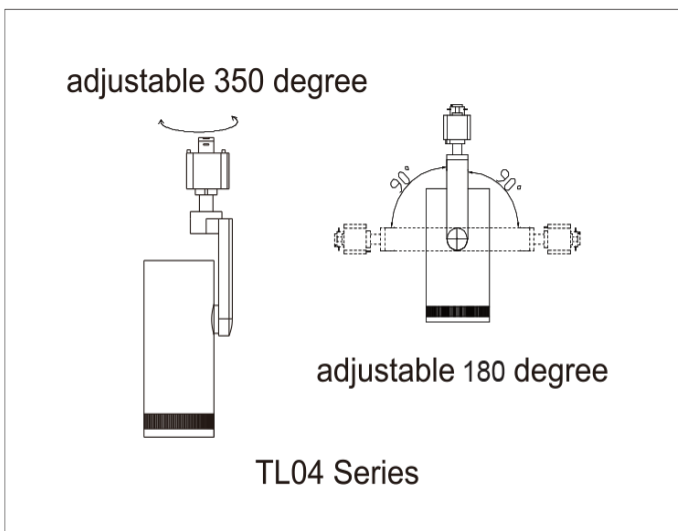
## LED Track Head Light Installation

### Read these instructions carefully before installation.

Make all electrical and grounding connections according to local and national electrical code. Always turn off the power supply before installation. This product must be installed in compliance with the applicable electrical code and by a qualified electrician.

-  Risk of fire or electrical shock. Fixture installation requires knowledge of luminaires and electrical systems. If you're not qualified, DO NOT attempt installation. Contact a qualified Electrician.
-  Always turn off the power supply before installation. DO NOT cover fixture with insulation liner or similar material.
-  DO NOT install fixture on unstable, loose, or easily breakable surface.
-  DO NOT exert force on the surface of the fixture.

Customize your fixture to your application needs.





RENO<sup>TM</sup>  
LIGHTING

## Installing Head to Track

