

## OVERVIEW

### TOOLS REQUIRED (NOT INCLUDED)

- Wiring supplies as per national and local electrical codes
- Hardware/tools required to mount to structure (field provided)



## IMPORTANT

- Before installing fixture, read all instructions and retain for future reference. The important instructions and safeguards that appear in this document are not inclusive of all possible conditions and situations that may occur. It must be understood that common sense, caution, and care are factors that cannot be built into a product. These factors must be supplied by those that care and operate the fixture.

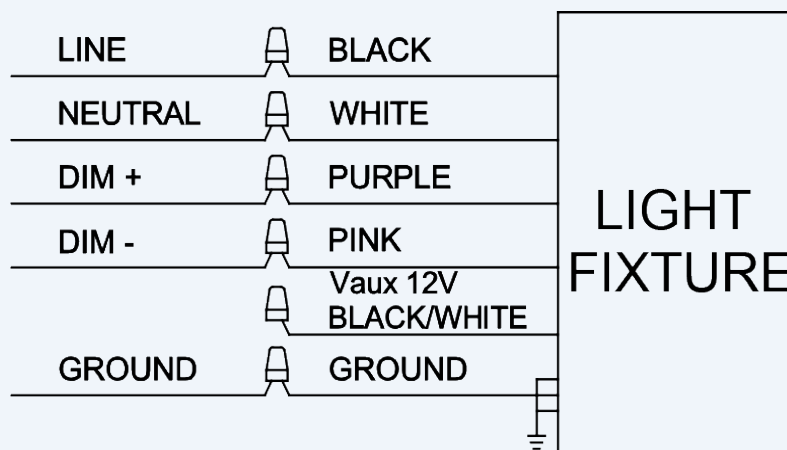
## WARNING & SAFETY

- Risk of electric shock!
- Ensure power is OFF at the electrical panel before starting installation or maintenance
- Verify site supply voltage matches luminaire product label
- Ensure the cover is closed during operation
- Modifications to the product will void warranty
- Wiring to fixture must be in accordance with the National Electrical Code and all applicable local electrical and safety regulations



**FOR ADDITIONAL INFORMATION REQUIRED NOT COVERED IN THIS DOCUMENT PLEASE CONTACT A LOCAL REPRESENTATIVE!**

## WIRING SCHEMATICS

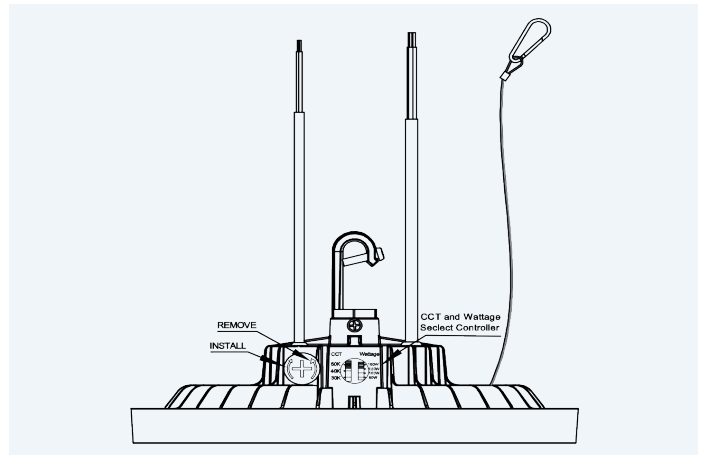


WIRING INSTRUCTIONS

#	Step
1	<b>BEFORE WIRING, MAKE CERTAIN THE INPUT VOLTAGE IS CORRECT.</b> Connect the black fixture lead to the LINE supply lead.
2	Connect the white fixture lead to the NEUTRAL supply lead.
3	Connect the ground wire lead to the fixture to supply ground.
4	<b>Continue for 0-10V Dimming Wiring:</b>
5	Connect the purple fixture lead to the DIM+ lead.
6	Connect the pink fixture lead to the DIM- lead.
7	Cap the Vaux 12V fixture lead, if present. Do NOT connect.

ADJUSTING WATTAGE/CCT

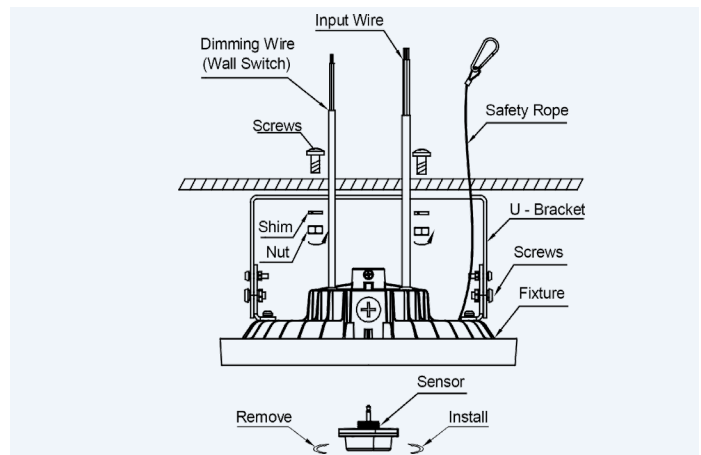
#	Step
1	Remove the G1/2 screw plug on the bottom of the fixture.
2	Select wattage (White) and CCT (Black) by sliding the respective switch to the desired value according to the figure.
3	Replace the G1/2 screw plug and tighten with a flat head screwdriver.



INSTALLATION METHODS

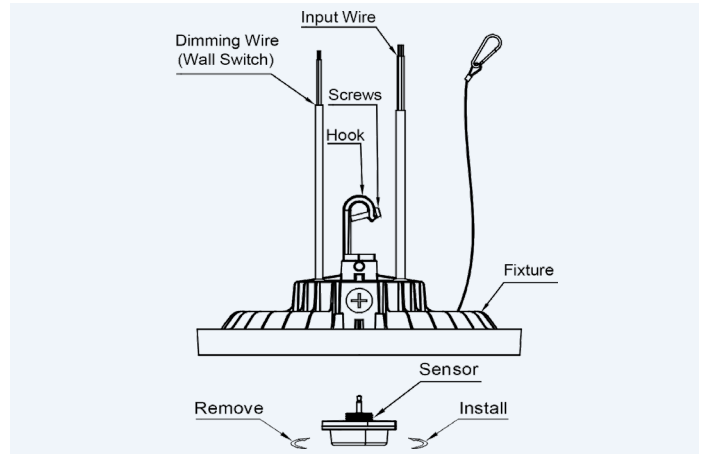
U-BRACKET MOUNTING

#	Step
1	Mount the U-bracket to the canopy structure (U bracket is adjustable upon request for fixture angle)
2	Connect driver with external input wire
3	Fix safety chain with fixture body and canopy structure.



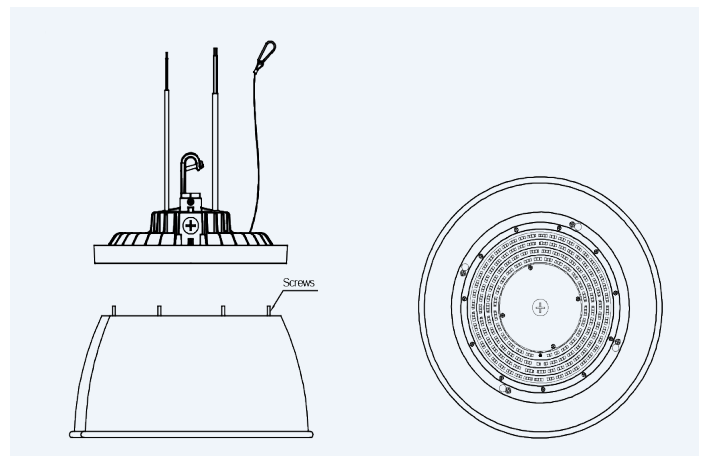
## HOOK MOUNTING

#	Step
1	Use hanging chain or hook or anything else upon requirement.
2	Make sure safety rope is applied for supplemental safety support for the fixture.



## REFLECTOR AND DOME INSTALLATION

#	Step
1	Install the reflector , tighten the screws.



#	Step
2	Attach the dome on the reflector. (If needed)

